



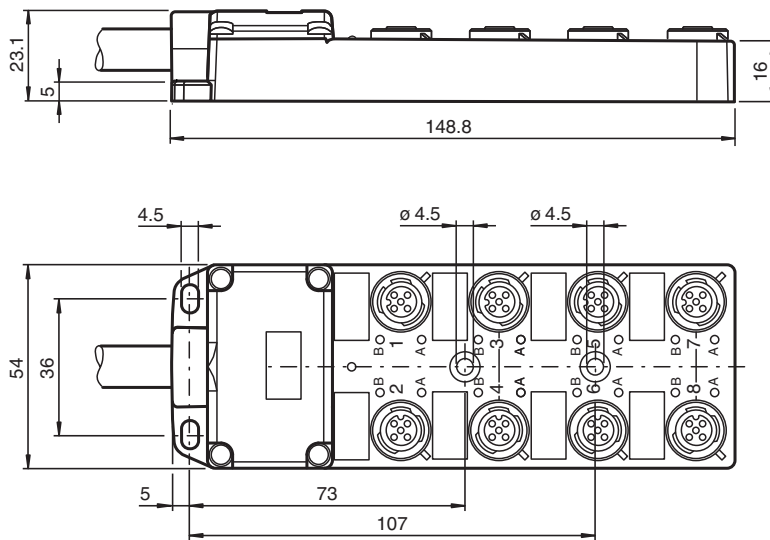
## Splitter boxes V1-8/16A-E2-2M-PUR

- Twin communication of the plug-in stations
- UL Recognized Component
- Suitable for drag chains and abrasion resistant

Splitter box octuple, twin configuration, with trunk cable



### Dimensions



### Technical Data

#### General specifications

Number of pins	5
UL File Number	E191152

#### Indicators/operating means

LED green	supply voltage each module
LED yellow	I/O status indication

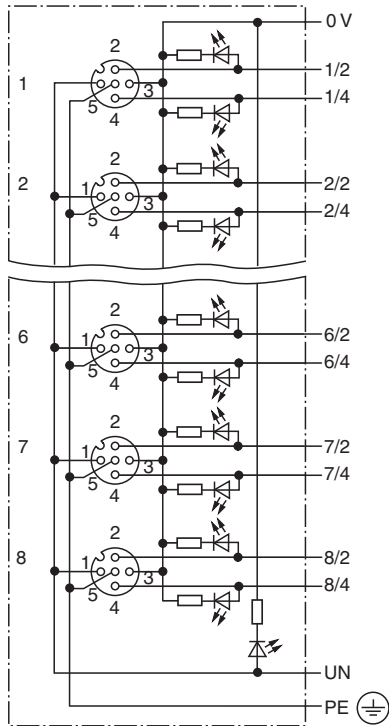
#### Electrical specifications

Operating voltage	$U_B$	max. 24 V DC -20 % / +25 %
Operating current	$I_B$	$\leq 5$ mA per channel indication element

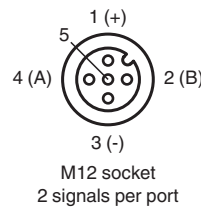
## Technical Data

Current loading capacity	≤ 2 A per channel, ≤ 4 A per plug-in station, ≤ 12 A total current per separator
<b>Output</b>	
Number/Type	8 , twin configuration
<b>Conformity</b>	
Degree of protection	EN 60529
Flammability	DIN EN 50265-2-1
<b>Approvals and certificates</b>	
UL approval	cURus, General Purpose, E231213
Maximum permissible operating voltage	max. 42.4 V peak, Class 2 source only
CCC approval	This product is not subject to authorization and therefore does not bear a CCC marking.
Maximum permissible operating voltage	max. 75 V AC/DC
<b>Ambient conditions</b>	
Ambient temperature	housing: -25 ... 80 °C (-13 ... 176 °F) cable, flexing: -5 ... 80 °C (23 ... 176 °F) cable, fixed: -40 ... 90 °C (-40 ... 194 °F)
<b>Mechanical specifications</b>	
Connection type	8 x socket M12 x 1 5-pin Master cable
Degree of protection	IP65/IP67
<b>Material</b>	
Contacts	Cu alloy
Contact surface	Au
Housing	PBT
Threaded bushings	PBT
Cable	PUR
Seal	O-ring: NBR
Core insulation	PVC
<b>Cable</b>	
Cable	flexible
Sheath diameter	Ø 10.5 mm
Bending radius	> 10 x cable diameter, moving > 7.5 x cable diameter, fixed
Color	black
Coors	Signal line (2, 4): 16 x 0.5 mm <sup>2</sup> Supply line (1, 3), PE (5): 3 x 1 mm <sup>2</sup>
Conductor construction	28 x 0.15 mm Ø and 56 x 0.15 mm Ø
Length	L 2 m
<b>Drag chain suitability</b>	
Drag chain cycles	min. 1500000
Motion velocity	max. 2 m/s
Traverse distance	2 m
Mass	approx. 1152 g
Flammability	V-0

Connection



Port/Pin (signal)	Color
1 / 4 (A)	WH
1 / 2 (B)	GY/PK
2 / 4 (A)	GN
2 / 2 (B)	RD/BU
3 / 4 (A)	YE
3 / 2 (B)	WH/GN
4 / 4 (A)	GY
4 / 2 (B)	BN/GN
5 / 4 (A)	PK
5 / 2 (B)	WH/YE
6 / 4 (A)	RD
6 / 2 (B)	YE/BN
7 / 4 (A)	BK
7 / 2 (B)	WH/GY
8 / 4 (A)	VT
8 / 2 (B)	GY/BN
1-8 / 1 (UN)	BN
1-8 / 3 (0 V)	BU
1-8 / 5 (PE)	GN/YE



Accessories

	<b>MH 05-SACB-8</b>	Mounting aid for splitter boxes for DIN rail
	<b>V15S-Y-V15/V15</b>	Y-Splitter M12 plug to 2x M12 socket 5-pin A-coded
	<b>MH V1-BIT M12</b>	plug-in cap M12
	<b>MH V1-SCREWDRIVER</b>	Torque screwdriver (0.6 Nm)
	<b>VAZ-V1-B3L</b>	Blind plug for M12 sockets

Release date: 2023-04-13 Date of issue: 2023-04-13 Filename: 260647\_eng.pdf