



AS-Interface Safety Monitor

VAS-2A8L-KE4-8SE

- Compact safety controller up to SIL 3/PLe
- 4 integrated, safe inputs
- 2 integrated, safe outputs (OSSDs)
- 8 logical, safe output groups (switchable)
- Increased functionality through integrated expansion port
- Parameterizable muting, timer and logic functions using SIMON+ software

Safety Monitor, 8 decentralized output circuits



Function

The AS-Interface safety monitor compact VAS-2A8L-KE4-8SE- is a control cabinet module with up to 8/4 local safe inputs and up to 8 independent outputs.

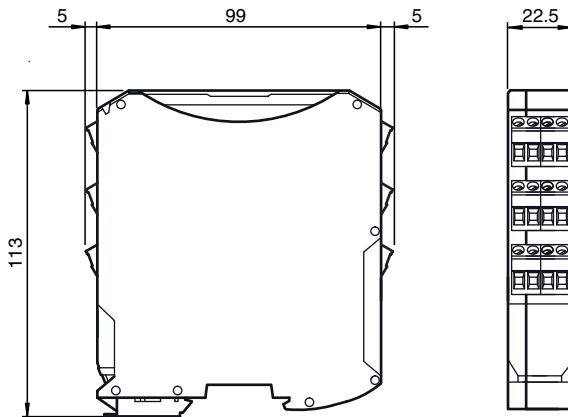
The safe inputs can optionally be configured as standard inputs and signalling outputs. Two of the safe inputs are also suitable as inputs for OSSDs, the others only for potentialfree contacts. Each safe input can also be configured as two standard inputs. 8 independent AS-Interface release circuits support multiple safe AS-Interface outputs on a single address. In addition, the test pulse outputs can be switched as diagnostic outputs (not control- safe). The safe circuit for the connected consumers is created using two safety relays.

The housing, which is only 22.5 mm wide, requires little space in the switch cabinet. The module is mounted by clicking it onto the 35 mm mounting rail, compliant with EN 50022.

The AS-Interface and external power supply are each connected by means of a 2-station terminal block. Connection of the inputs and outputs is by means of multiple 4-station terminal blocks. This permits the simple removal of the supply during commissioning or servicing. The supply to the connected slaves is fed either internally via the module from the AS-interface or via an external supply. The current status of the inputs and outputs is indicated via yellow LEDs. Communication faults are indicated via red LEDs. The display of the operating voltage and the address 0 is provided by a green LED.

A Micro-USB interface is used for configuration with the AS-i-Control Tools via ASIMON. The configuration can be transferred to a replacement device using a chip card.

Dimensions



Technical Data

General specifications

AS-Interface specification	V3.0
UL File Number	E223772

Functional safety related parameters

Safety Integrity Level (SIL)	SIL 3
------------------------------	-------

Release date: 2021-09-27 Date of issue: 2021-09-27 Filename: 261493_eng.pdf

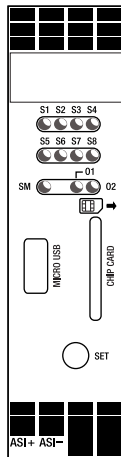
Technical Data

Performance level (PL)		PL e
Mission Time (T _M)		20 a
PFH _d		5.08 E-9
Indicators/operating means		
LED SM		Status of safety monitor, multicolored LED green: Safety monitor OK
LED S1 ... S8		Status of inputs S1 ... S8, yellow LED yellow: Contact open
LED O1, O2		Status of outputs, multicolored LED yellow: Output on
Electrical specifications		
Auxiliary voltage (input)	U _{EXT}	20 ... 30 V _{DC} PELV
Insulation voltage	U _i	500 V AS-Interface/U _{AUX} :
Rated operating voltage	U _e	18,0 ... 31.6 V from AS-Interface
Rated operating current	I _e	≤ 200 mA from AS-Interface; ≤ 4 A from AUX
Interface 1		
Interface type		Chip card slot
Interface 2		
Interface type		Micro USB Programming interface
Input		
Number/Type		8 / 4 safe inputs cat. 4 or 8 standard inputs
Supply		24 V U _{AUX}
Current loading capacity		10 mA per signal output 1.4 A OSSD supply output
Input current		Static switching current 4 mA at 24 V, dynamic 30 mA at 24 V (T=100 μs)
Output		
Number/Type		Output circuits 1 and 2 max. contact rating: 700 m A _{DC-13} at 24 V
Supply		24 V U _{AUX}
Directive conformity		
Electromagnetic compatibility		
Directive 2014/30/EU		EN 62026-2:2013 EN 61000-6-2:2005/AC:2005 EN 61000-6-4:2007/A1:2011
Machinery Directive		
Directive 2006/42/EC		EN 13849-1:2008/AC:2009 EN 62061:2005
Standard conformity		
Electromagnetic compatibility		EN 50295:1999 EN 61000-6-2:2005/AC:2005 EN 61000-6-4:2007/A1:2011
Degree of protection		EN 60529:2000
Electrical safety		IEC 61508:2010 and EN 62061:2005 (up to SIL3) EN 13849-1:2008/AC:2009 EN 61326-3-1:2008
AS-Interface		EN 62026-2:2013
Programming instructions		
Profile		S-0.B.E
IO code		0
ID code		B
ID1 code		F
Ambient conditions		
Ambient temperature		0 ... 55 °C (32 ... 131 °F)
Storage temperature		-25 ... 85 °C (-13 ... 185 °F)
Mechanical specifications		
Degree of protection		IP20

Technical Data

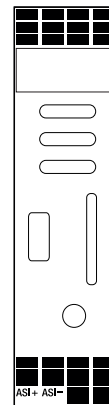
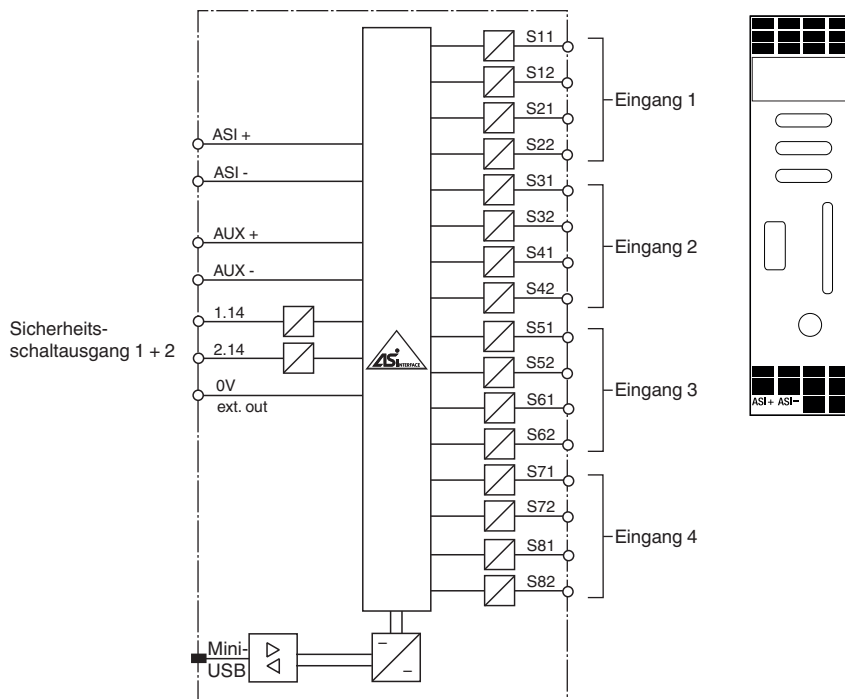
Connection	removable terminals rated connection capacity: rigid/flexible (with and without wire-end ferrules): 0.25 mm ² ... 2.5 mm ² for multiple-wire connection with two wires of equal cross-section: flexible with twin wire-end ferrules: 0.5 mm ² ... 1.5 mm ²
Material	
Housing	PA 66-FR
Mounting	DIN mounting rail

Assembly




SET = Service button
CHIP CARD = Chip card

Connection



Accessories

	VAZ-SW-SIMON+	Software for configuration of K30 Master Monitors/K31 and KE4 Safety Monitors
---	----------------------	---

Release date: 2021-09-27 Date of issue: 2021-09-27 Filename: 261493_eng.pdf

Accessories



VAZ-SIMON-USB

USB Type A to Micro-USB connector