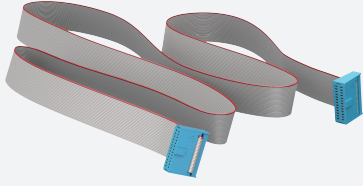


HART Connection Cable with Connectors

K-HM26-5M-261539



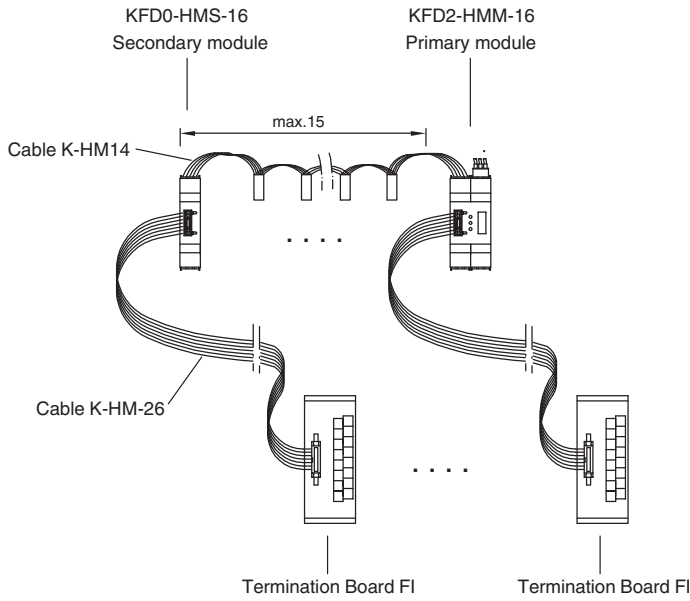
- K-System accessory
- Connection cable for KF*-HM*-16 to Termination Board
- 26-pin ribbon cable

HART connection cable for primary module/secondary module - termination board connection

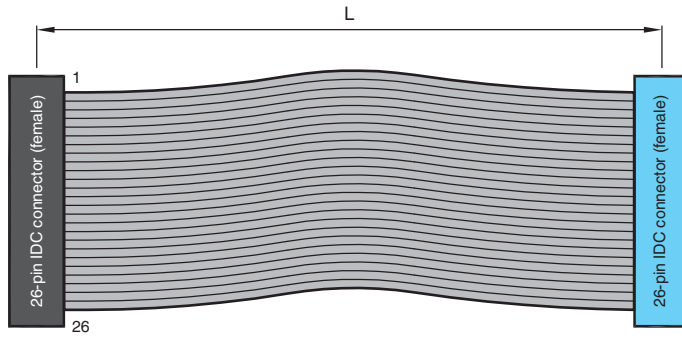
Function

The connection cable K-HM26 is used for connection of a HART Multiplexer KFD*-HM*-16 to a K-System Termination Board. The connection cable has a length of 1 m. Other cable lengths (max. 8 m) are available upon request.

Assembly



Dimensions



Primary module KFD2-HMM-16/
Secondary module KFD0-HMS-16

Termination Board FI

Technical Data

Ambient conditions

Ambient temperature	0 ... 70 °C (32 ... 158 °F)
Relative humidity	5 ... 90 %, non-condensing

Mechanical specifications

Connection	
Device	1 x IDC female connector, 26-pin
Termination board	1 x IDC female connector, 26-pin
Cable length	5 m