



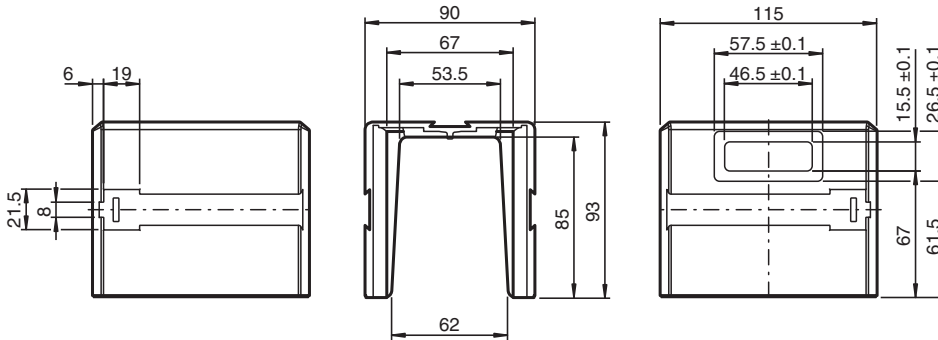
Replacement housing with display cut-out

WCS3B-HSG-GN-D

■ Accessory WCS3B

WCS3B-Replacement housing with display cut-out for repair purposes in the case of a defective housing

Dimensions



Technical Data

Mechanical specifications

Material	
Housing	ABS-GF16 , seal: EPDM
Mass	161 g

General information

Note	For more information on assembly and disassembly, refer to the manual.
------	--

Release date: 2024-11-12 Date of issue: 2024-11-12 Filename: 262227_eng.pdf