

# Bearing box

## BRB60N-30S



- High corrosion resistance
- Compact and stable housing
- High shaft load capacity
- Long service life due to minimal heat, even at high rotational speeds
- Low starting torque, even at low temperatures

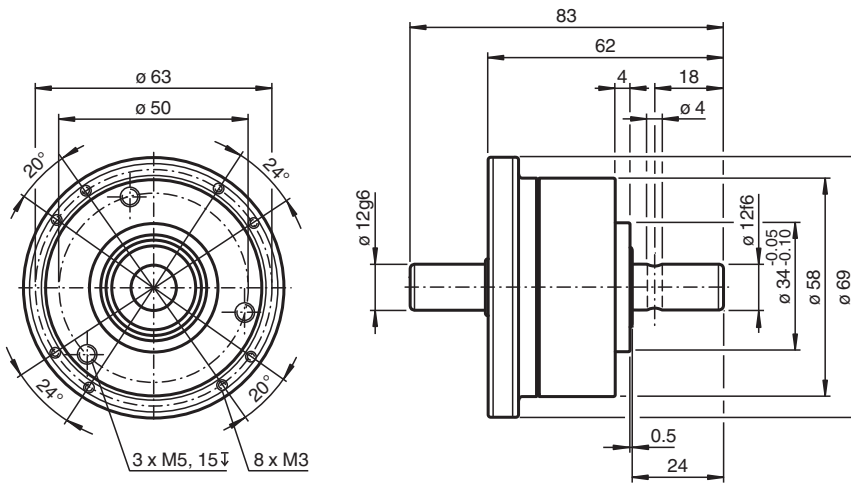
Bearing box for offshore applications, shaft  $\varnothing 12 \times 24$  with pin hole, max. rotational speed 6000 min<sup>-1</sup>

### Function

The bearing unit is particularly suited for applications where high rotational speeds and large shaft loads can occur. Here the shaft loads are fully taken up by the bearing unit and kept away from the rotary encoder. Ball bearing grease with specially adjusted additivation increases the service life in the event of vibrations, and ensures good distribution of the grease and oil separation. This results in low frictional resistance and self-heating.

The bearing unit is suitable for rotary encoders with  $\varnothing 12$  mm x 20 mm recessed hollow shaft and torque rest, e.g., rotary encoders from the RSI58, ASM58 or ENI58IL-R series.

### Dimensions



### Technical Data

#### Standard conformity

Degree of protection	DIN EN 60529, IP65 , IP66
Climatic testing	
Static climatic testing	DIN EN 60068-2-78 , no moisture condensation
Cyclic climatic testing	DIN EN 60068-2-30 55 °C, 6 cycles
Salt spray test	DIN EN 60068-2-52 , 672 h
Shock resistance	DIN EN 60068-2-27, 100 g, 3 ms
Vibration resistance	DIN EN 60068-2-6, 10 g, 10 ... 2000 Hz

#### Ambient conditions

Operating temperature	-40 ... 85 °C (-40 ... 185 °F)
Storage temperature	-40 ... 95 °C (-40 ... 203 °F)

Release date: 2022-12-12 Date of issue: 2022-12-12 Filename: 262403\_eng.pdf

**Technical Data****Mechanical specifications**

Shaft dimensions	Ø x l	12 x 24 mm with bore hole Ø 4 mm
Material		
Housing		aluminum, coated, salt water resistant
Flange		aluminum, coated, salt water resistant
Shaft		stainless steel 1.4404 / AISI 316L
Mass		approx. 425 g
Rotational speed		max. 6000 min <sup>-1</sup>
Starting torque		≤ 10 Ncm
Shaft load		
Axial		200 N
Radial		350 N
Life span		3 x 10 <sup>9</sup> @ 3000 min <sup>-1</sup>