



RFID Transponder

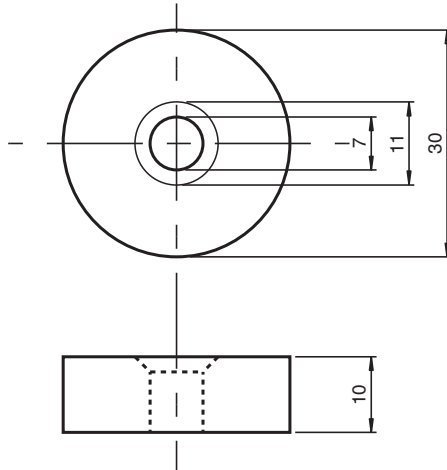
IQC21-30-EX smart-DOME 50pcs

- Operating frequency 13.56 MHz
- 64 bit Fixcode
- 896 bits memory available
- Mounting holes for simple installation
- ATEX-approval for zone 1 and zone 21
- Conforms to ISO 15693

Data carrier for hazardous area



Dimensions



Technical Data

General specifications	
Marking	Ⓜ II 2G Ex ia IIC T6 Gb Ⓜ II 2D Ex ia IIIC T80°C Db
Operating frequency	13.56 MHz
Transfer rate	26 kBit/s
Memory	
Chip Type	I-CODE SLI (NXP)
EEPROM	896 Bit
UID	64 Bit
Memory organization	4 bytes/block
Read cycles	unlimited
Write cycles	> 100000
Data retention period	10 years at 55 °C (131 °F)
Directive conformity	
Explosion protection	
Directive 2014/34/EU	EN IEC 60079-0 EN IEC 60079-11
Radio equipment	

Release date: 2023-05-24 Date of issue: 2023-05-24 Filename: 262572_eng.pdf

Technical Data

Directive 2014/53/EU	EN 301489-1 EN 301489-3 EN 300330 EN 62368-1 EN 50364
RoHS	
Directive 2011/65/EU (RoHS)	IEC/EN 63000
Standard conformity	
Degree of protection	EN 60529
RFID	ISO/IEC 15693-1 ISO/IEC 15693-2 ISO/IEC 15693-3 ISO/IEC 18000-3
Ambient conditions	
Ambient temperature	-25 ... 70 °C (-13 ... 158 °F)
Storage temperature	-40 ... 110 °C (-40 ... 230 °F)
Mechanical specifications	
Housing height	10 mm
Housing diameter	30 mm
Degree of protection	IP67
Material	
Housing	Polyurethane (PUR)
Installation	
On metal	yes
In air	yes
Construction type	Cylindrical
Note	Packaging unit, 50-piece

Mounting

The surface containing the text must face the read/write head.