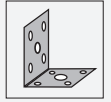


## Mounting aid

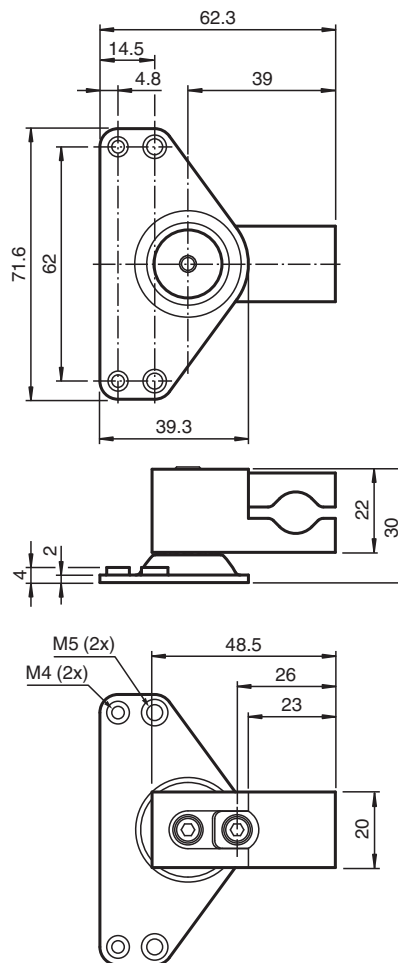
### OMH-051

- Bracket for round steel or sheet



Mounting aid for round steel  $\varnothing$  10 ... 14 mm or sheet 1 mm ... 5 mm

## Dimensions



## Technical Data

### Mechanical specifications

**Technical Data**

Material	Metal sheet (steel), zinc-plated aluminum
Mass	approx. 80 g
Tightening torque, fastening screws	1.4 Nm
Mounting	Mounting accessories included
<b>Suitable series</b>	
Series	RL28 RL29
Reflector series	H75 reflector

## Function

The all-in-one mounting bracket enables the sensor to be mounted onto a 10 mm ... 14 mm round rod as well as onto 1 mm ... 5 mm flat profiles at the same time.

The functional clamping profile of the bracket eliminates the need for multiple brackets.

The two separate mounting screws of the clamping profile allow for the sensor to be mounted and aligned in two distinct steps, one after the other.