



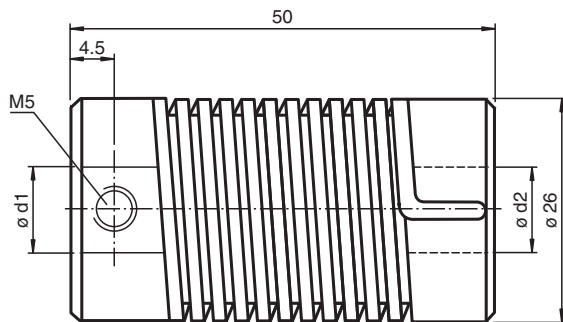
# Coupling

## 9401 10\*12,7

- Universally suitable for backlash-free rotation transmission
- Highly vibration-isolating
- Well misalignment compensation
- Low torsion spring stiffness
- Small reset forces
- No movable parts
- Very rugged construction

Spring steel coupling

### Dimensions



### Technical Data

Ambient conditions	
Operating temperature	-30 ... 120 °C (-22 ... 248 °F)
Mechanical specifications	
Shaft diameter	d1 = 10 mm , d2 = 12.7 mm
Material	
Spring	spring steel, nickel plated
End piece	Diecast zinc
Mass	100 g
Rotational speed	max. 3000 min
Max. torque	1.5 Nm
Tightening torque, fastening screws	1.2 Nm
Radial offset	max. ± 1.5 mm
Axial offset	max. ± 1 mm
Angle error	max. ± 5 °
Torsion angle	at torque 0.75 Nm drive shaft view
CW rotation direction	40 °
CCW rotation direction	60 °

Release date: 2022-08-09 Date of issue: 2022-12-12 Filename: 262713\_eng.pdf

**Technical Data**

Moment of inertia	95 kg m <sup>2</sup> x 10 <sup>-7</sup>
Mounting	clamp screws M5 x 6, DIN 916
Tightening torque of clamping screws	max. 3 Nm