

AS-Interface splitter box

VAZ-2T1-FK-G10-PTC-2M-PUR-V1-G

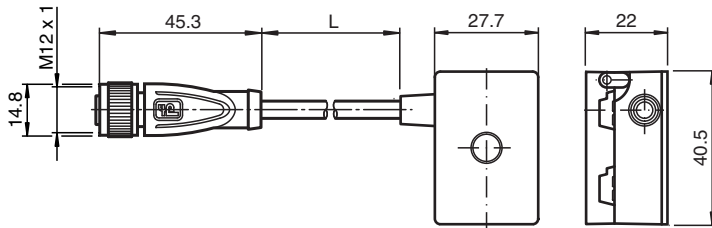


- One piece housing
- Simple and fast mounting
- Electronic current limitation with LED display
- Gold-plated and machined contacts
- Oil and abrasion resistant PUR line appropriate for drag chains
- Immunity to vibration
- Degree of protection IP68 / IP69K
- Halogen-free

G10 junction block, LED status indication, AS-Interface, and auxiliary power to 1x M12 round plug connector



Dimensions



Technical Data

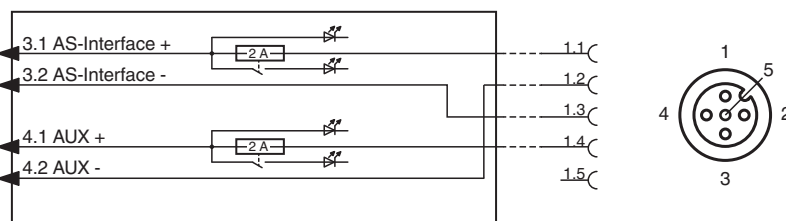
General specifications	
Construction type	Socket, straight Flat cable terminals AS-Interface/ext. auxiliary voltage
UL File Number	E223772 "For use in NFPA 79 Applications only"
Indicators/operating means	
LED Overload	Overload display output; red LED red: overload output
LED PWR	Operating voltage LED green Green: voltage OK
Electrical specifications	
Rated operating voltage	U_e 10 ... 32 V PELV (AS-Interface , ext. auxiliary voltage AUX)
Protection class	III
Short-circuit current	I_k max. 40 A
Surge protection	overvoltage category III
Output	
Current loading capacity	1.6 A (40 °C) per output
Response delay	approx. 4 s @ 8 A

Release date: 2023-11-21 Date of issue: 2023-11-21 Filename: 263224_eng.pdf

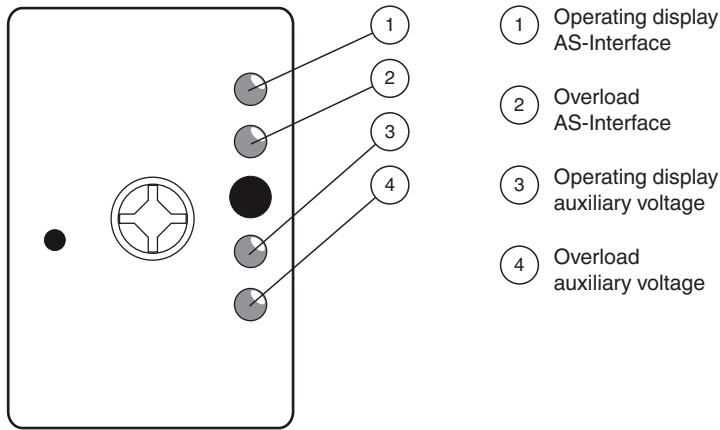
Technical Data

Voltage drop	U_d	0.8 V at 2 A ; 0.3 V at 0.5 A
Compliance with standards and directives		
Directive conformity		
EMC Directive 2004/108/EC		EN 61000-6-2:2005, EN 61000-6-4:2007
Standard conformity		
Noise immunity		EN 61000-6-2:2005
Emitted interference		EN 61000-6-4:2007
Degree of protection		EN 60529:2000
Fieldbus standard		EN 50295:1999, IEC 62026-2:2008
Approvals and certificates		
UL approval		cULus Listed, Type 1 enclosure
Maximum permissible ambient temperature		max. 55 °C (max. 131 °F)
Ambient conditions		
Ambient temperature		-25 ... 70 °C (-13 ... 158 °F)
Storage temperature		-25 ... 85 °C (-13 ... 185 °F)
Mechanical specifications		
Degree of protection		IP67 IP67 / IP68 / IP69K with flat cable VAZ-FK-S-*
Connection		Flat cable AS-Interface: cable piercing method Flat cable ext. auxiliary voltage U_{AUX} : Insulation penetration technology Plug connection: M12 x 1 socket (V1)
Material		
Contacts		CuSn / Au
Housing		PBT PC
Body		PUR, black
Cable		PUR
Mounting screw		Stainless steel 1.4305 / AISI 303
Cable		
Sheath diameter		Ø4,3 mm
Color		black
Cores		4 x 0.34 mm ²
Length	L	2 m
Mass		100 g
Tightening torque, fastening screws		1.65 Nm
Tightening torque, cable gland		0.4 Nm

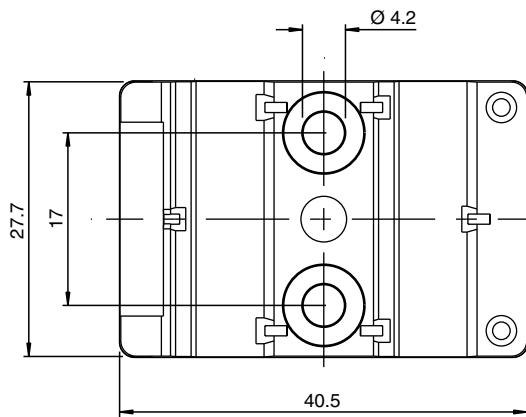
Connection



Assembly



Mounting

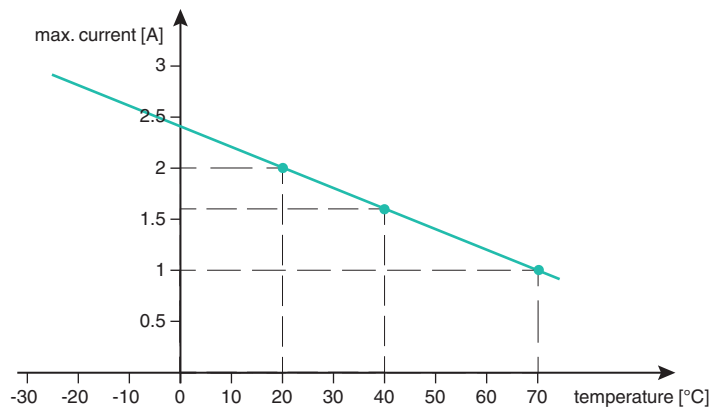


You may screw the device onto a level mounting surface using two M4 attachment screws. The attachment screws are not included.

Characteristic Curve

The current loading capacity of the splitter box is depending on the temperature.

Derating



After persistent or frequent short-circuits the internal fuse may open at a lower current.