



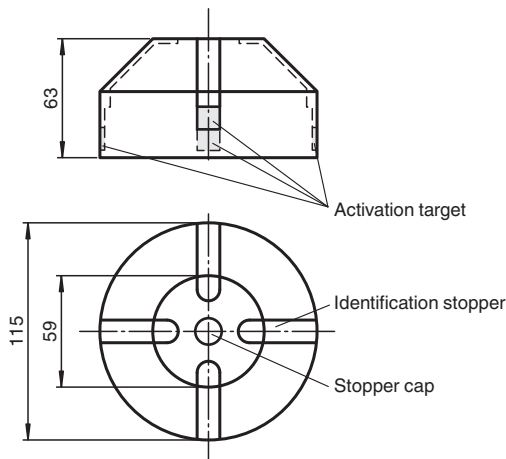
Activator

BT115A

- For right and left rotating drives with 180° rotational motion
- Four fixed actuating lugs, offset by 90°

Activator for F31 series

Dimensions



Technical Data

General specifications	
Ring diameter	max. 110 mm
Spring ring height	max. 7 mm
Ambient conditions	
Ambient temperature	-40 ... 85 °C (-40 ... 185 °F)
Mechanical specifications	
Shaft diameter	< 90 mm
Shaft height	30 mm and 50 mm
Mounting hole pattern	30 x 130 mm
Material	
Housing	Mounting component: PA
Spacer disk	PA (2 units, 10 mm strong)
Stopper cap	PE (1 unit black)
Identification stopper	PA (2 units yellow, 2 units black)
Mounting screw	for activator: 1.4305 / AISI 303 (1 piece M6 x 25) for sensors - F31: 1.4305 / AISI 303 (2 pieces M5 x 16) (2 pieces M5 x 12)
Activation target	Stainless steel 1.4305 / AISI 303 (integrated)
Mass	120 g

Release date: 2025-02-25 Date of issue: 2025-02-25 Filename: 263361_eng.pdf

Technical Data

Tightening torque, fastening screws

 $\leq 1.5 \text{ Nm}$

Function

The activator consists of a conductive plastic material which prevents static charging and allows installation in potentially explosive environments.