

# Inductive sensor

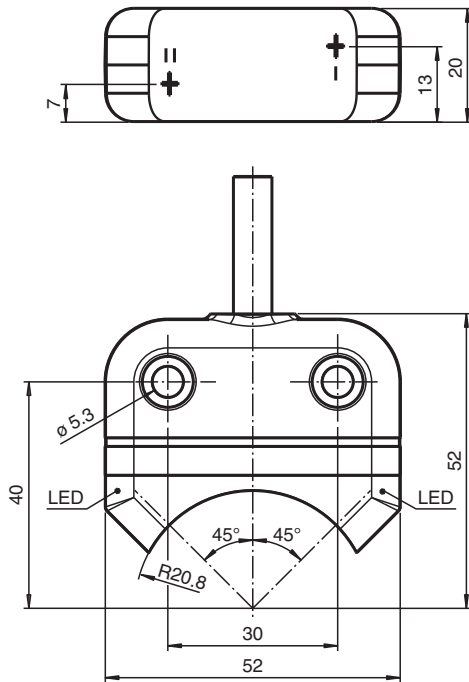
## NBN4-F25-2Z4L



- Direct mounting on standard actuators
- Small construction with sturdy plastic housing of protection class IP 67
- 2-wire DC sensor with minimum off-state current



### Dimensions



### Technical Data

#### General specifications

Switching function		Normally open (NO)
Output type		Two-wire with minimum off-state current
Rated operating distance	$s_n$	4 mm
Installation		flush mountable
Output polarity		DC
Assured operating distance	$s_a$	0 ... 3.24 mm
Actual operating distance	$s_r$	3.6 ... 4.4 mm typ.
Reduction factor $r_{Al}$		0.6
Reduction factor $r_{Cu}$		0.45
Reduction factor $r_{304}$		1

Release date: 2025-07-02 Date of issue: 2025-07-02 Filename: 264863\_eng.pdf

## Technical Data

Reduction factor $r_{S137}$		1.2
Output type		2x 2-wire
<b>Nominal ratings</b>		
Operating voltage	$U_B$	5 ... 30 V DC
Switching frequency	$f$	0 ... 500 Hz
Hysteresis	$H$	typ. 5 %
Reverse polarity protection		reverse polarity protected
Short-circuit protection		pulsing
Voltage drop	$U_d$	$\leq 4.5$ V
Operating current	$I_L$	4 ... 100 mA
Off-state current	$I_r$	120 ... 200 $\mu$ A typ. 175 $\mu$ A at 25 °C
Time delay before availability	$t_v$	$\leq 100$ ms
Switching state indicator		LED, yellow
<b>Compliance with standards and directives</b>		
Standard conformity		
Standards		EN IEC 60947-5-2
<b>Approvals and certificates</b>		
UL approval		cULus Listed Circuitry: Class 2 Power Source Enclosure Type Rating: Type 1 Supply/Switching Voltage: 30 V DC Output Switching Current: 200 mA
CCC approval		CCC approval / marking not required for products rated $\leq 36$ V
<b>Ambient conditions</b>		
Ambient temperature		-25 ... 70 °C (-13 ... 158 °F)
Storage temperature		-40 ... 85 °C (-40 ... 185 °F)
<b>Mechanical specifications</b>		
Connection type		cable PVC , 2000 mm
Core cross section		0.75 mm <sup>2</sup>
Housing material		PBT
Sensing face		PC
Degree of protection		IP67
Cable		
Cable diameter		4.3 mm $\pm$ 0.1 mm
Bending radius		> 15 x cable diameter
Mass		405 g
Tightening torque, fastening screws		M5 x 25 : $\leq 2.7$ Nm
Dimensions		
Height		20 mm
Width		52 mm
Length		52 mm
Note		Mounted on mechanical drive

## Connection Assignment

