

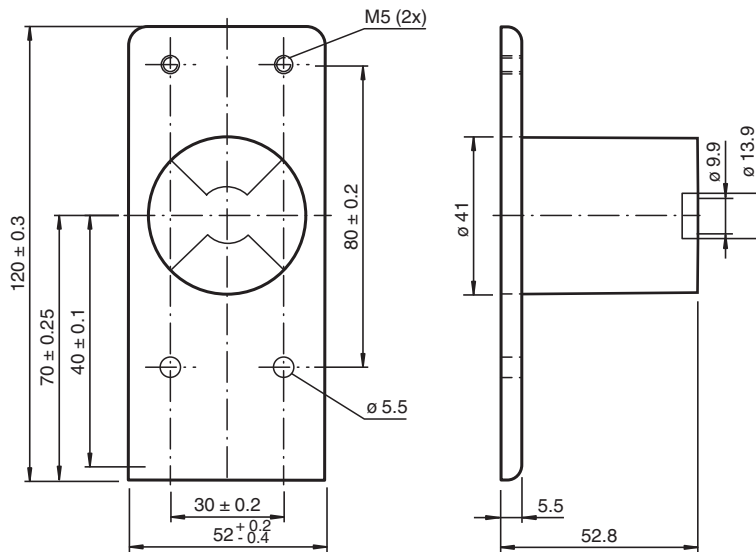
Activator BT43-RG-01

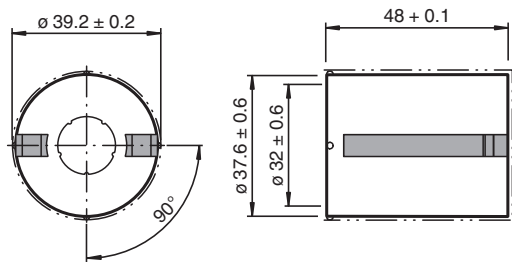


- High-visibility valve position display
- Suitable for right and left rotating drives
- Protection against contamination and damage
- Actuator to mount without tool

Activator for F25 series including protective housing and mounting plate

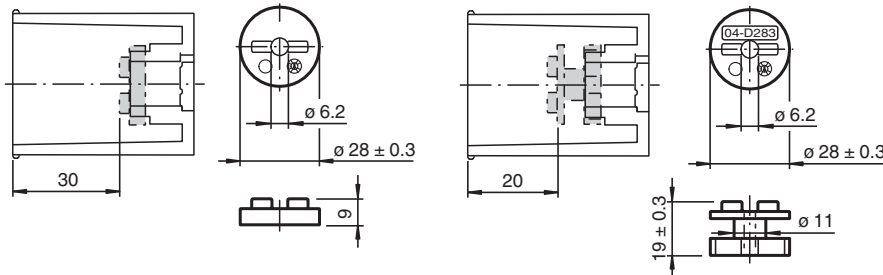
Dimensions





with Spacer element for 20 mm shaft height

with Spacer element for 30 mm shaft height



Technical Data

General specifications	
Ring diameter	max. 32 mm
Nominal ratings	
Valve status indicator	red = CLOSED green = OPEN
Compliance with standards and directives	
Standard conformity	
Standards	VDI / VDE 3845
Ambient conditions	
Ambient temperature	-25 ... 70 °C (-13 ... 158 °F)
Mechanical specifications	
Shaft diameter	≤ 31 mm
Shaft height	20 mm and 30 mm
Mounting hole pattern	30 x 80 mm
Material	
Housing	PC
Actuator	PBT
Spacer element	PP
Mounting screw	Stainless steel 1.4305 / AISI 303 , 2 cylinder head screws (Mounting plate)
Activation target	Stainless steel 1.4305 / AISI 303 (integrated)
Mass	107 g
General information	
Scope of delivery	1 Activator for F25 series 1 Spacer element for 20 mm shaft height 1 Spacer element for 30 mm shaft height 1 Protective cover 1 Mounting plate with 2 cylinder head screws M5 X 13 2 cylinder head screws M5x30 for F25 mounting 2 cylinder head screws M5x45 for F25K mounting

Release date: 2020-03-30 Date of issue: 2020-06-30 Filename: 264864_eng.pdf