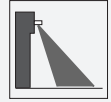


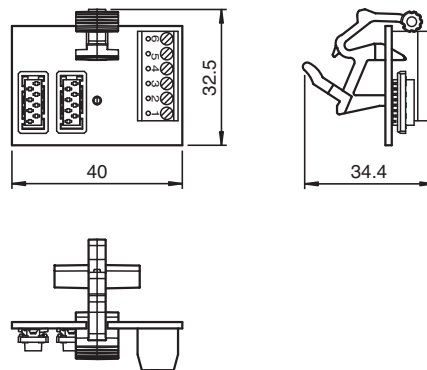
Accessory DGE DoorScan Adapter



- Cable adapter for configurable DoorScan presence sensor
- Adapter for connecting cables (e.g., to glass doors, existing cables)
- Tool-free module mounting using snap-in mechanism

Adapter module for installation in the DoorScan® and TopScan sensor profile, multifunction interface module

Dimensions

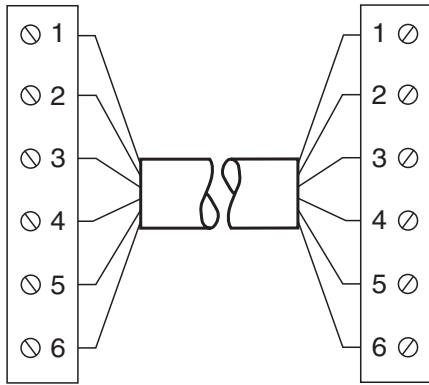


Technical Data

Ambient conditions	
Ambient temperature	-30 ... 60 °C (-22 ... 140 °F)
Mechanical specifications	
Degree of protection	IP54 (iwhen mounted)
Connection	plug strip 6-pin , socket 8-pin , solder pins 8-pin
Mass	approx. 18 g
General information	
Scope of delivery	2 x Adapter

Connection Assignment

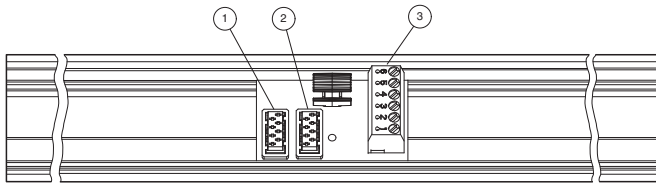
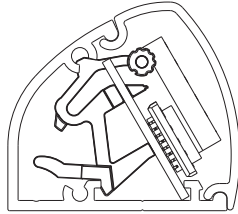
Connection Terminals



Functional Description

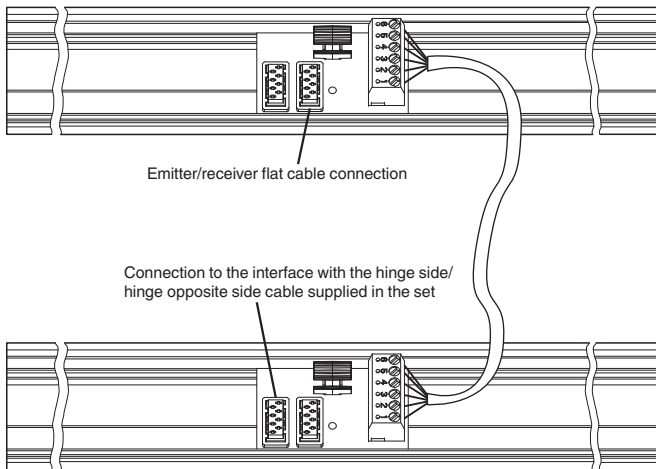
The DoorScan adapter facilitates simple mounting of two DoorScan modules facing one another on revolving doors. The adapter is recommended if it is not possible to run a duct through the door panel (fire door, etc.) or if a cable is to be used that has already been installed.

Board Mounting



- 1 PCB terminal strip, connection to interface
- 2 PCB socket, emitter/receiver flat cable connection
- 3 Terminal for customer double-ended cordset

Cable Mounting



- Use a cable with at least six strands.
- The core cross-section can be 0.128 mm² ... 1.0 mm² (~AWG 18)
- Use cable with a maximum length of 1.5 m
- Cover flexible stranded wires with wire end ferrules

Release date: 2020-09-10 Date of issue: 2020-10-08 Filename: 264990_eng.pdf