



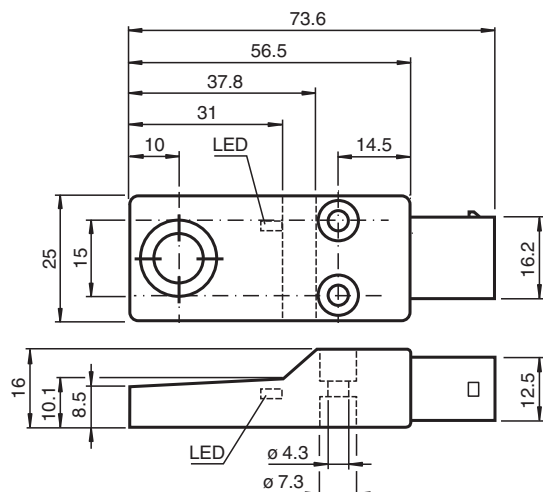
Inductive sensor

NBB8-F33X-E3-AMP

- 8 mm flush
- 3-wire DC
- Amp connector



Dimensions



Technical Data

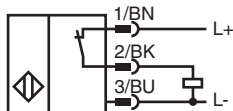
General specifications		
Switching function		Normally closed (NC)
Output type		PNP
Rated operating distance	s_n	8 mm
Installation		flush
Output polarity		DC
Assured operating distance	s_a	0 ... 6.5 mm
Reduction factor r_{Al}		0.3
Reduction factor r_{Cu}		0.2
Reduction factor r_{304}		0.6
Reduction factor r_{Brass}		0.35
Output type		3-wire
Nominal ratings		
Operating voltage	U_B	10 ... 60 V DC
Switching frequency	f	0 ... 250 Hz
Hysteresis	H	typ. 5 %
Reverse polarity protection		reverse polarity protected

Release date: 2024-01-02 Date of issue: 2024-01-02 Filename: 266706_eng.pdf

Technical Data

Short-circuit protection		pulsing
Voltage drop	U_d	$\leq 2.5 \text{ V}$
Operating current	I_L	0 ... 200 mA
Off-state current	I_r	0 ... 0.1 mA
No-load supply current	I_0	$\leq 10 \text{ mA}$
Time delay before availability	t_v	$\leq 50 \text{ ms}$
Switching state indicator		LED yellow
Functional safety related parameters		
MTTF _d		1937 a
Mission Time (T _M)		20 a
Diagnostic Coverage (DC)		0 %
Compliance with standards and directives		
Standard conformity		
Standards		EN IEC 60947-5-2
Ambient conditions		
Ambient temperature		-35 ... 70 °C (-31 ... 158 °F)
Storage temperature		-40 ... 85 °C (-40 ... 185 °F)
Mechanical specifications		
Connection type		Connector plug , AMP connector
Housing material		PBT , black
Degree of protection		IP67
Dimensions		
Height		10 mm
Width		25 mm
Length		73 mm
Note		Tightening torque: 5 Nm

Connection



Connection Assignment

