



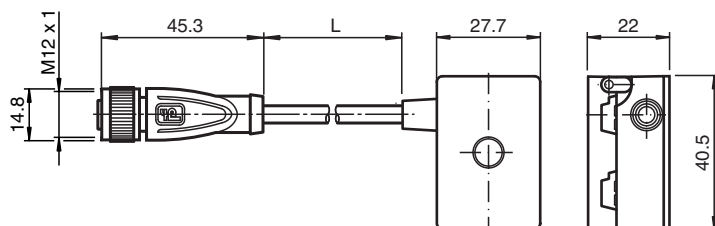
## AS-Interface splitter box VAZ-2T1-FK-G10-0,3M-PUR-V1-G

- One piece housing
- Simple and fast mounting
- Gold-plated and machined contacts
- Oil and abrasion resistant PUR line appropriate for drag chains
- Immunity to vibration
- Degree of protection IP68 / IP69K
- Halogen-free

Splitter box G10, AS-Interface and auxiliary voltage to 1 x M12 round connector



### Dimensions



### Technical Data

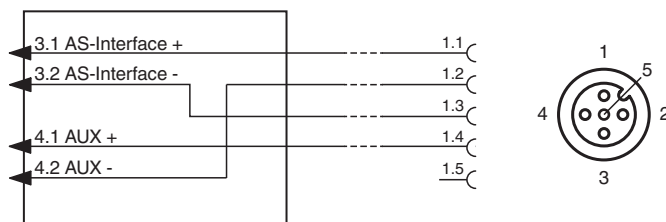
General specifications	
Construction type	Socket, straight Flat cable terminals AS-Interface/ext. auxiliary voltage
Electrical specifications	
Rated operating voltage	$U_e \leq 60 \text{ V PELV}$
Rated operating current	$I_e \leq 3 \text{ A AS-Interface, } \leq 3 \text{ A AUX}$
Protection class	III
Current loading capacity	max. 4 A
Surge protection	overvoltage category III
Pulse withstand voltage	800 V
Compliance with standards and directives	
Standard conformity	
Degree of protection	EN 60529:2000
Approvals and certificates	
UL approval	cULus Listed, Type 1 enclosure
Application	for use in NFPA 79 applications
Maximum permissible operating voltage	max. 32 V

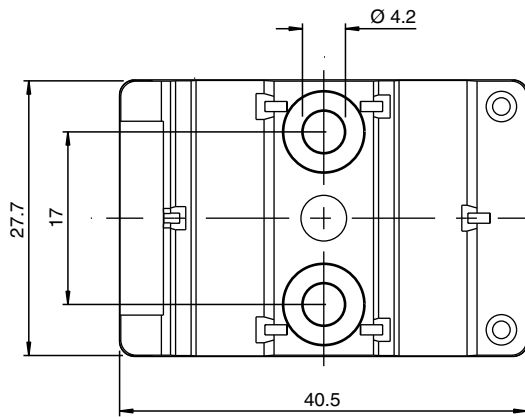
Release date: 2024-12-12 Date of issue: 2024-12-12 Filename: 268025\_eng.pdf

## Technical Data

UL File Number	E223772
<b>Ambient conditions</b>	
Ambient temperature	-25 ... 75 °C (-13 ... 167 °F)
Storage temperature	-25 ... 85 °C (-13 ... 185 °F)
Pollution degree	3
<b>Mechanical specifications</b>	
Degree of protection	IP67 IP67 / IP68 / IP69K with flat cable VAZ-FK-S-*
Connection	Flat cable AS-Interface: cable piercing method Flat cable ext. auxiliary voltage $U_{AUX}$ : Insulation penetration technology Plug connection: M12 x 1 socket (V1)
<b>Material</b>	
Contacts	CuSn / Au
Housing	PBT PC
Body	PUR, black
Cable	PUR
Mounting screw	Stainless steel 1.4305 / AISI 303
<b>Cable</b>	
Sheath diameter	Ø4,3 mm
Color	black
Cores	4 x 0.34 mm <sup>2</sup>
Length	L 0.3 m
Mass	180 g
Tightening torque, fastening screws	1.65 Nm
<b>Dimensions</b>	
Height	22 mm
Width	27.7 mm
Length	40.5 mm

## Connection



**Mounting**

You may screw the device onto a level mounting surface using two M4 attachment screws. The attachment screws are not included.