

Inductive sensor

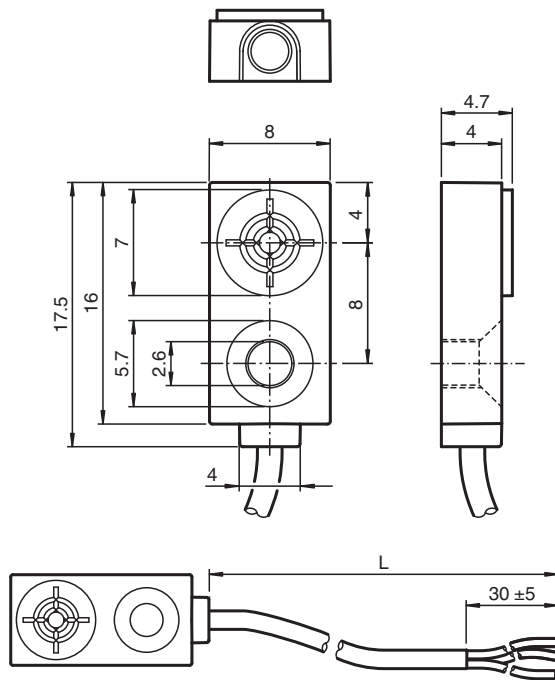
NBB1,5-F79-E2-5M



- 1.5 mm flush
- 3-wire DC



Dimensions



Technical Data

General specifications

| | | |
|----------------------------|-------|--------------------|
| Switching function | | Normally open (NO) |
| Output type | | PNP |
| Rated operating distance | s_n | 1.5 mm |
| Installation | | flush |
| Output polarity | | DC |
| Assured operating distance | s_a | 0 ... 1.215 mm |
| Reduction factor r_{Al} | | 0.3 |
| Reduction factor r_{Cu} | | 0.2 |
| Reduction factor r_{304} | | 0.7 |

Release date: 2025-02-27 Date of issue: 2025-02-28 Filename: 269261_eng.pdf

Technical Data

| | | |
|---|-------|--|
| Output type | | 3-wire |
| Nominal ratings | | |
| Operating voltage | U_B | 5 ... 30 V DC |
| Switching frequency | f | 0 ... 1200 Hz |
| Hysteresis | H | typ. 5 % |
| Short-circuit protection | | pulsing |
| Voltage drop | U_d | ≤ 1.5 V |
| Operating current | I_L | 0 ... 100 mA |
| Off-state current | I_r | ≤ 10 μ A |
| No-load supply current | I_0 | ≤ 15 mA |
| Time delay before availability | t_v | ≤ 20 ms |
| Compliance with standards and directives | | |
| Standard conformity | | |
| Standards | | EN IEC 60947-5-2 |
| Approvals and certificates | | |
| CCC approval | | CCC approval / marking not required for products rated ≤ 36 V |
| Ambient conditions | | |
| Ambient temperature | | -25 ... 70 °C (-13 ... 158 °F) |
| Mechanical specifications | | |
| Connection type | | cable |
| Housing material | | PA |
| Sensing face | | PA |
| Degree of protection | | IP67 |
| Cable | | |
| Cable diameter | | 2.3 mm \pm 0.2 mm |
| Bending radius | | > 10 x cable diameter |
| Material | | PVC |
| Color | | black |
| Number of cores | | 3 |
| Core cross section | | 0.09 mm ² |
| Length | L | 5 m |
| Dimensions | | |
| Height | | 4.7 mm |
| Width | | 8 mm |
| Length | | 16 mm |

Connection

