

AS-Interface sensor/actuator module VAA-4E4A-KE5-ZEJQ/E2L

- Housing with push-in connection technology and mechanically coded terminal blocks
- Housing width 19 mm, installation in the switch cabinet on DIN mounting rail
- Selectable supply to the sensors: External or from the module
- Function display for bus, external auxiliary voltage, internal sensor supply, inputs, and outputs
- Red LED per channel, lights up in the event of output overload

Cabinet module 4 inputs and 4 outputs



Function

The AS-Interface connecting module VAA-4E4A-KE5-ZEJQ/E2L-KRO is a switch cabinet module with 4 inputs and 4 electronic outputs. The housing is only 19 mm wide and takes up little space in the switch cabinet. The module is mounted by snapping onto the 35 mm DIN rail in compliance with EN 50022.

The connection is made via removable 4-pin push-in terminal blocks. For AS-i+, AS-i-, AUX+, and AUX-, two connections are available in each case; these connections are bridged in the terminal block. In case of i-, terminals 5 and 6 as well as 7 and 8 are bridged in the terminal block. If the terminal block is disconnected from the module, the link between these connections is retained. The terminal blocks are mechanically coded.

The supply to the inputs and the connected sensors can be fed either from the internal supply of the module from the AS-Interface or via an external UEXT voltage source. A switch located on the side of the module changes the source.

The internal input supply is displayed via the INT LED. The relevant IN and OUT LEDs display the current switching status of the inputs and outputs. The OUT LEDs also indicate an overload or a lead breakage at the corresponding output.

Safety Applications

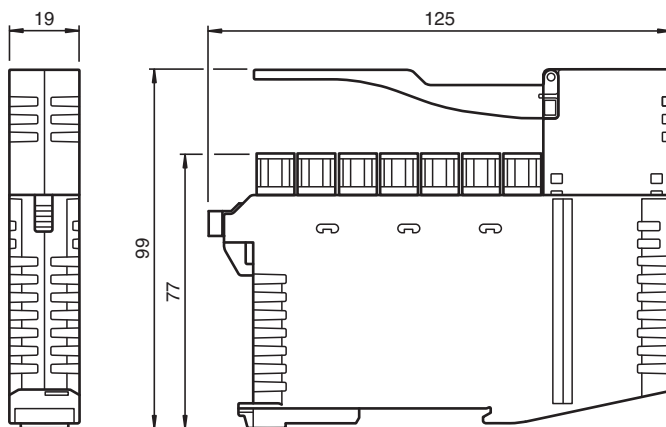
The module offers safe galvanic isolation between the output part supplied by AUX and the other circuit components. As such, it can be used in applications that require reliable switch-off of the AUX power supply for EMERGENCY STOP functions up to safety classification PLd via an external switching element. Details of the conditions that apply in this case can be found in the "Notes" section of the original instructions.

Hinweise:

The device is equipped with a communication monitor, which deactivates the outputs if the AS-Interface does not communicate with the module for more than 40 ms. The communication monitor can be deactivated via the parameter P0. Filters that suppress pulses with a duration of 2 ms or less at the inputs can be connected via the parameter P1.

Parameter P2 activates a lead breakage detection system for the outputs. This function detects and reports a missing load, providing the relevant output is deactivated. The associated OUT LED provides a visual indication of the missing load, and the 'peripheral fault' function reports it to the AS-Interface master. A signal indicating an overload of the internal input supply or the outputs is also transmitted to the AS-Interface master via the 'peripheral fault' function. Communication via the AS-Interface continues even if a peripheral fault is set.

Dimensions



Technical Data

General specifications

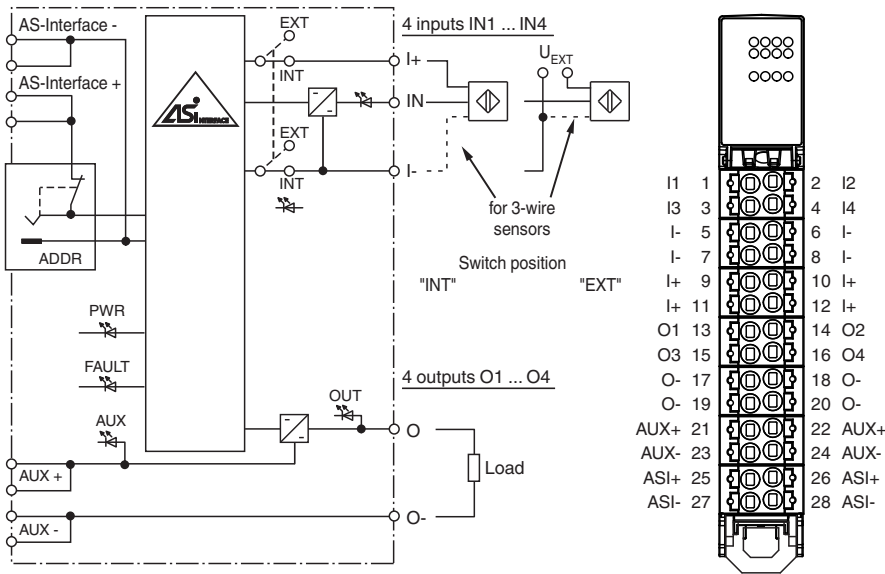
Technical Data

Node type	Standard node	
AS-Interface specification	V3.0	
Required gateway specification	≥ V2.0	
UL File Number	E223772	
MTBF	141 a	
Indicators/operating means		
LED FAULT	Error display; red LED red: communication error, i.e. address is 0 red flashing: overload internal input supply, i.e. overload or lead interruption outputs	
LED INT	Internal input supply active; LED green	
LED PWR	AS-Interface voltage; green LED green: voltage OK flashing green: address 0	
LED AUX	ext. auxiliary voltage U_{AUX} ; dual LED green/red green: voltage OK red: reverse voltage	
LED IN	switching state (input); 4 LED yellow	
LED OUT	switching state (output); 4 LED yellow/red yellow: output active red: output overload or lead interruption	
Electrical specifications		
Auxiliary voltage (input)	U_{EXT}	12 ... 30 V DC PELV
Auxiliary voltage (output)	U_{AUX}	20 ... 30 V DC PELV
Rated operating voltage	U_e	26.5 ... 31.6 V from AS-Interface
Rated operating current	I_e	≤ 35 mA (without sensors) / max. 190 mA
Protection class	III	
Surge protection	U_{EXT} , U_{AUX} , U_e : overvoltage category II, safe isolated power supplies (PELV) Overvoltage category of the power supplies (primary): III	
Rated insulation voltage	92 V	
Pulse withstand voltage	0.8 kV	
Input		
Number/Type	4 inputs for 3-wire sensors (PNP), DC	
Supply	from AS-Interface (switch position INT, default settings) or external U_{EXT} (switch position EXT)	
Voltage	21 ... 31 V DC (INT)	
Current loading capacity	≤ 150 mA, overload- and short-circuit protected (INT)	
Input current	≤ 5.6 mA (max.)	
Switching point	according to DIN EN 61131-2 (type 1)	
0 (unattenuated)	≤ 0.5 mA	
1 (attenuated)	≥ 2 mA	
Signal delay	< 1 ms (input/AS-Interface)	
Output		
Number/Type	4 electronic outputs, PNP, overload and short-circuit proof	
Supply	from external auxiliary voltage U_{AUX}	
Voltage	≥ (U_{AUX} - 0.5 V)	
Current	2 A Per output, total 4 A ($T_B \leq 60 \text{ °C}$) 1 A Per output, total 4 A ($T_B \leq 70 \text{ °C}$)	
Usage category	DC-13	
Directive conformity		
Electromagnetic compatibility		
Directive 2014/30/EU	EN 62026-2:2013 EN 61000-6-2:2005, EN 61000-6-4:2007	
Machinery Directive		
Directive 2006/42/EC	EN ISO 13849-1:2008 , EN ISO 13849-2:2012	
Standard conformity		
Degree of protection	EN 60529:2000	
Fieldbus standard	EN 62026-2:2013	
Electrical safety	IEC 61140:2009	

Technical Data

Input	EN 61131-2:2004
Emitted interference	EN 61000-6-4:2007
AS-Interface	EN 62026-2:2013
Noise immunity	EN 61000-6-2:2005, EN 61326-1:2006, EN 62026:2013
Functional safety	EN ISO 13849-1:2008 EN ISO 13849-2:2012
Programming instructions	
Profile	S-7.0
IO code	7
ID code	0
ID1 code	F
ID2 code	E
Data bits (function via AS-Interface)	Input Output
D0	IN1 O1
D1	IN2 O2
D2	IN3 O3
D3	IN4 O4
Parameter bits (programmable via AS-i)	function
P0	Communication monitoring P0 = 0 monitoring = off, the outputs maintain the status if communication fails P0 = 1 monitoring = on, i.e. if communication fails, the outputs are deenergised (default settings)
P1	Input filter P1 = 0 input filter on, pulse suppression ≤ 2 ms P1 = 1 input filter off (default settings)
P2	Lead breakage outputs P2 = 0 lead breakage on P2 = 1 lead breakage off (default settings)
P3	not used
Ambient conditions	
Ambient temperature	-25 ... 70 °C (-13 ... 158 °F)
Storage temperature	-25 ... 85 °C (-13 ... 185 °F)
Relative humidity	85 % , noncondensing
Climatic conditions	For indoor use only
Altitude	≤ 2000 m above MSL
Shock and impact resistance	15 g, 11 ms in 6 spatial directions, 3 shocks 10 g, 16 ms in 6 spatial directions, 1000 shocks
Vibration resistance	0.35 mm 10 ... 57 Hz , 5 g 57 ... 150 Hz, 20 cycles
Pollution degree	2
Mechanical specifications	
Degree of protection	IP20 For safety applications: Installation in an enclosure with a minimum protection class of IP54 required
Connection	Removable push-in terminals rated connection capacity: rigid: 0.20 mm ² ... 1.5 mm ² flexible (without wire end ferrule): 0.20 mm ² ... 2.5 mm ² flexible (with wire end ferrule): 0.25 mm ² ... 1.5 mm ²
Material	
Housing	PA 66-FR
Mass	110 g
Mounting	DIN mounting rail

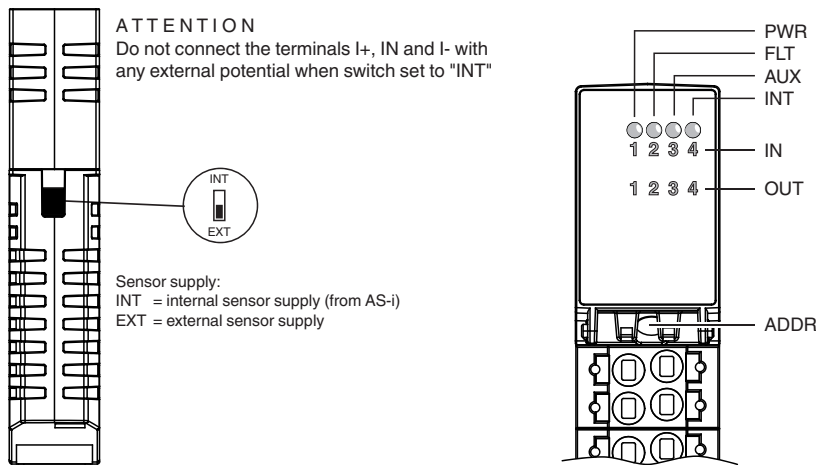
Connection



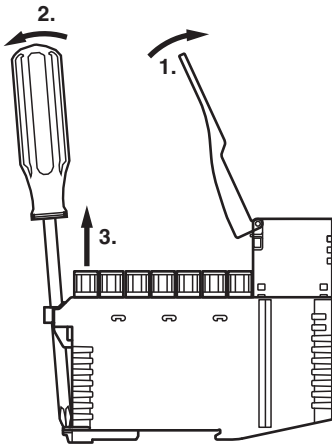
Connection

Do not connect inputs and outputs, which are supplied via the module from AS-interface or via auxiliary power, with power supply and signal circuits with external potentials.




Assembly



Release date: 2023-05-09 Date of issue: 2023-05-09 Filename: 269779_eng.pdf



Accessories

	VBP-HH1-V3.0-KIT	AS-Interface Handheld with accessory
	VAZ-PK-1,5M-V1-G	Adapter cable module/hand-held programming device
	VAZ-BRIDGE-BU/BN60MM/0,75-100	Jumper for switch cabinet modules with spring terminals or screw terminals