

Cable pull rotary encoder

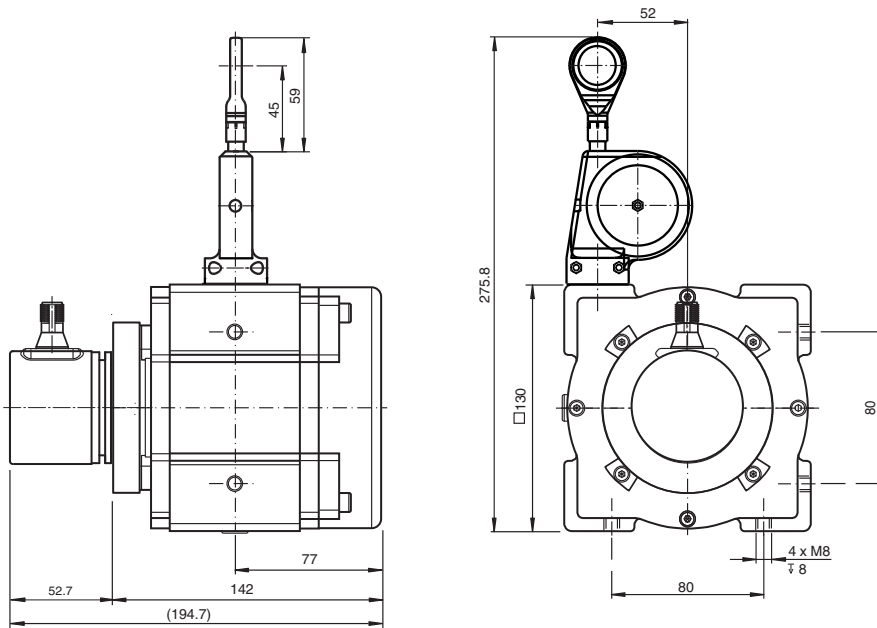
ECA30PL-05A4A-B16BD:NN

- Rust and acid-resistant measuring cable
- Robust aluminum drum housing
- Resolution: 13 singleturn, 12 bit multiturn

Cable pull rotary encoder with CANopen interface



Dimensions



Technical Data

General specifications

Detection type	magnetic sampling
Device type	Performance Line
Measuring range	5000 mm
Construction type	130 mm
Resolution	Cable pull: Design 130 mm: 0.04 mm Encoder: 25 Bit (13 Bit/revolution)

Electrical specifications

Operating voltage	U_B	9 ... 30 V DC
No-load supply current	I_0	≥ 350 mA

Interface

Interface type	CANopen
Resolution	
Single turn	13 Bit

Release date: 2022-04-08 Date of issue: 2022-12-12 Filename: 270910-100123_eng.pdf

Technical Data

Multiturn	12 Bit
Overall resolution	25 Bit
Transfer rate	max. 1 MBit/s
Standard conformity	communication profile: DS 301 Device profiles: DS 406 and DS 417 , programmable according to class 2
Connection	
Connector	M12 connector, 5 pin , A-coded
Standard conformity	
Degree of protection	acc. DIN EN 60529
Connection side	Encoder: IP65 Cable pull: IP64
Climatic testing	DIN EN 60068-2-3, no moisture condensation
Emitted interference	EN 61000-6-4:2007
Noise immunity	EN 61000-6-2:2005
Ambient conditions	
Ambient temperature	-30 ... 70 °C (-22 ... 158 °F)
Storage temperature	-30 ... 70 °C (-22 ... 158 °F)
Relative humidity	98 % , no moisture condensation
Mechanical specifications	
Rope diameter	1.35 mm
Drum perimeter	334.1 mm
Retraction speed	4 m/s
Spring retraction force	15 ... 21 N
Material	
Housing	aluminum, coated
Cable pull	anodized aluminum
Flange	anodized aluminum
Rope	Stainless steel 1.4401/316
Mass	2888 g
Life span	up to 10 ⁶ Cycles

Connection

Signal	5-pin, M12 x 1 connector
CAN GND	1
+V _s	2
GND	3
CAN-High	4
CAN-Low	5
Shielding	Housing
Pinout	