

Activator

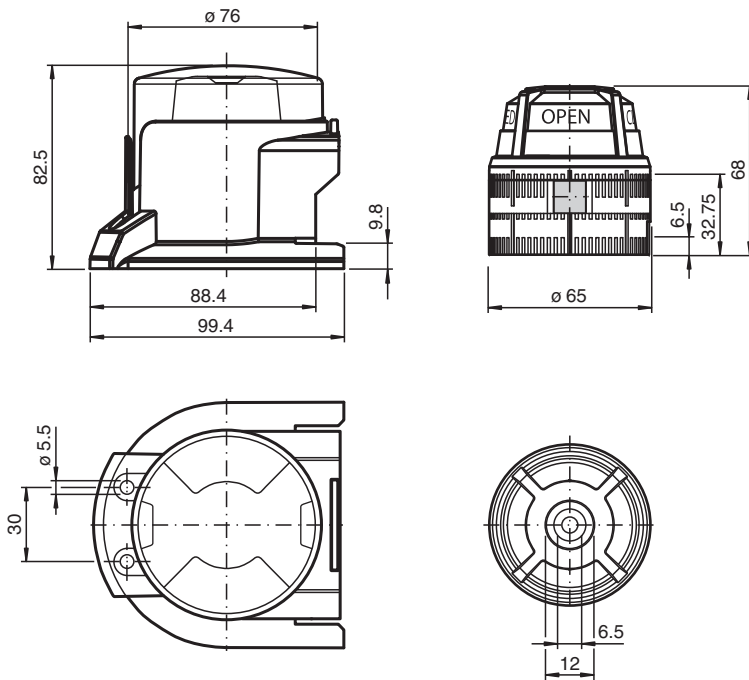
BT65-F31K2-RG-EN-01



- High-visibility valve position display
- Protection against contamination and damage
- Two actuation targets in two levels with 5° setting grid
- Suitable for right and left rotating drives

Activator for F31K2 series including protective housing

Dimensions



Technical Data

General specifications	
Ring diameter	max. 65 mm
Spring ring height	max. 6 mm
Nominal ratings	
Valve status indicator	red = CLOSED green = OPEN
Compliance with standards and directives	
Standard conformity	
Standards	VDI / VDE 3845
Ambient conditions	
Ambient temperature	-40 ... 85 °C (-40 ... 185 °F)
Mechanical specifications	

Release date: 2025-02-25 Date of issue: 2025-02-25 Filename: 271014_eng.pdf

Technical Data

Shaft diameter	≤ 49 mm
Shaft height	20 mm and 30 mm
Mounting hole pattern	30 x 80 mm
Material	
Housing	PC
Actuator	PA
Spacer disk	PA (1 unit, 10 mm strong)
Mounting screw	Stainless steel 1.4401 / AISI 316
Activation target	Stainless steel 1.4305 / AISI 303 (integrated)
Tightening torque, fastening screws	≤ 1.5 Nm
General information	
Scope of delivery	1 screw M6 x 30 1 screw M6 x 40 1 Activator for F31K2 series 1 Distance disc 1 Protective Cover Fixing screws

Function

The activator consists of a conductive plastic material which prevents static charging and allows installation in potentially explosive environments.