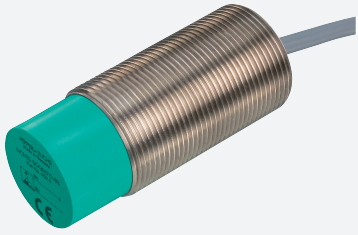


# Inductive sensor

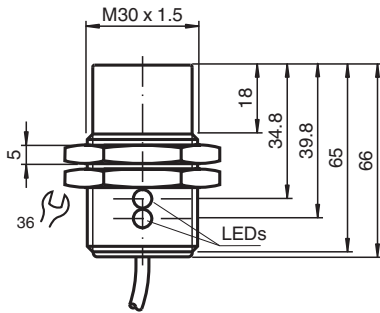
## NBN25-30GM65-US-5M



- Basic series
- 25 mm non-flush
- 2-wire AC/DC



### Dimensions



### Technical Data

#### General specifications

Switching function		Normally open (NO)
Output type		Two-wire
Rated operating distance	$s_n$	25 mm
Installation		non-flush
Output polarity		AC/DC
Reduction factor $r_{Al}$		0.47
Reduction factor $r_{Cu}$		0.44
Reduction factor $r_{304}$		0.77
Output type		3-wire

#### Nominal ratings

Switching frequency	f	30 Hz
Hysteresis	H	3 ... 15 % typ. 5 %
Reverse polarity protection		reverse polarity tolerant
Short-circuit protection		yes
Voltage drop	$U_d$	$\leq 8$ V
Rated operating current	$I_e$	4 ... 500 mA AC/DC
Off-state current	$I_r$	$\leq 0.8$ mA
Operating voltage indicator		LED, green
Switching state indicator		LED, yellow

#### Electrical specifications

Rated operating voltage	$U_e$	20 ... 250 V AC/DC
-------------------------	-------	--------------------

Release date: 2025-06-04 Date of issue: 2025-06-04 Filename: 271831\_eng.pdf

## Technical Data

### Compliance with standards and directives

Standard conformity

Standards EN IEC 60947-5-2

### Approvals and certificates

UL approval cULus Listed, General Purpose

CCC approval Certified by China Compulsory Certification (CCC)

### Ambient conditions

Ambient temperature -25 ... 70 °C (-13 ... 158 °F)

Storage temperature -40 ... 85 °C (-40 ... 185 °F)

### Mechanical specifications

Connection type cable

Housing material brass, nickel-plated

Sensing face PBT

Degree of protection IP67

Cable

Wire end ferrules yes

Cable diameter 6.2 mm ± 0.6 mm

Bending radius &gt; 10 x cable diameter

Material PUR

Color black

Number of cores 3

Core cross section 0.5 mm<sup>2</sup>

Length L 5 m

Mass 358 g

Dimensions

Length 51 mm

Diameter 30 mm

## Connection Assignment

