



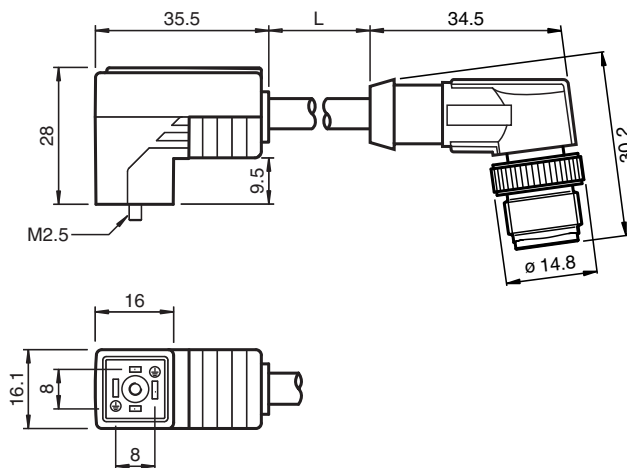
## Valve Connector Cordset VMC-2+P/Z2-0,3M-PUR-V1-W

- Valve connector according EN 175301-803 A/ISO 4400
- Z diode as a protective circuit
- Built-in LED, as operating and function indicator
- Moulded seal
- freely selectable cable models due to bridged protective earth
- Suitable for drag chains and abrasion resistant
- Flame resistant cable
- Halogen-free
- Oil resistant
- Immunity to vibration

Valve connector Form C, Z-diode LED 2-pin+PE to M12 plug angled A-coded 3-pin, PUR cable black, drag chain suitable



### Dimensions



### Technical Data

#### General specifications

|                                   |                     |
|-----------------------------------|---------------------|
| <b>Connector 1</b>                |                     |
| Connection                        | Valve connector DIN |
| Construction type                 | form C              |
| Style                             | angled              |
| Locking                           | screw connection    |
| Number of pins                    | 2 + PE              |
| <b>Connector 2</b>                |                     |
| Connection                        | plug                |
| Construction type                 | M12                 |
| Style                             | angled              |
| Locking                           | screw connection    |
| Number of pins                    | 3                   |
| Coding                            | A-coded             |
| <b>Indicators/operating means</b> |                     |
| LED yellow                        | Operating display   |

Release date: 2025-02-09 Date of issue: 2025-02-10 Filename: 273521\_eng.pdf

## Technical Data

### Electrical specifications

|                   |       |             |
|-------------------|-------|-------------|
| Operating voltage | $U_B$ | 24 V AC/DC  |
| Operating current | $I_B$ | max. 4 A    |
| Suppression       |       | Zener diode |

### Conformity

|                      |  |  |
|----------------------|--|--|
| Degree of protection |  | EN 60529   |
| Plug connection      |  | Valve connector : DIN EN 175301-803<br>connector M12 x 1 : IEC 61076-2-101 |
| Flammability         |  | DIN VDE 0482 , DIN EN 50265-2-1 , UL 94                                    |
| Halogen-free         |  | DIN VDE 0472-815   |
| UV resistance        |  | DIN EN ISO 4892-2-A  |
| Oil resistance       |  | DIN EN 60811-2-1   |

### Ambient conditions

|                           |  |                                |
|---------------------------|--|--------------------------------|
| Ambient temperature       |  |                                |
| Connector 1               |  | -20 ... 85 °C (-4 ... 185 °F)  |
| Connector 2               |  | -25 ... 90 °C (-13 ... 194 °F) |
| Cable, fixed installation |  | -40 ... 80 °C (-40 ... 176 °F) |
| Cable, flexing            |  | -20 ... 80 °C (-4 ... 176 °F)  |
| Pollution degree          |  | 3                              |

### Mechanical specifications

|                        |   |   |
|------------------------|---|---|
| Connector 1            |   |   |
| Tightening torque      |   | 0.6 Nm  |
| Tool installation      |   | screw M2.5 x 27.5   |
| Mating cycles          |   | min. 100  |
| Connector 2            |   |   |
| Tightening torque      |   | 0.6 Nm  |
| Tool installation      |   | straight knurling   |
| Mating cycles          |   | min. 100  |
| Degree of protection   |   | IP65 / IP67   |
| Cable                  |   | according to IEC/EN 60228 (DIN VDE 0295) class 5  |
| Sheath diameter        |   | 4.5 mm  |
| Bending radius         |   | > 10 x cable diameter, movable installation<br>> 5 x cable diameter, fixed installation |
| Sheath color           |   | black (similar to RAL 7021)   |
| Number of cores        |   | 3   |
| Core cross section     |   | 0.5 mm <sup>2</sup>   |
| Cores color            |   | Core 1-4: black<br>Core 2-3: black<br>Core PE-5: green/yellow                           |
| Core construction      |   | 28 x 0.15 mm Ø  |
| Length                 | L | 0.3 m   |
| Cable code             |   | Li 9Y 11Y 3 x 0,50  |
| Drag chain suitability |   |   |
| Drag chain cycles      |   | min. 15000000   |
| Motion velocity        |   | max. 5 m/s  |
| Traverse distance      |   | 0.9 m   |
| Acceleration           |   | max. 30 m/s <sup>2</sup>  |
| Mass                   |   | 32.96 g   |

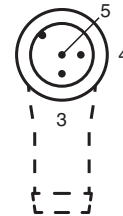
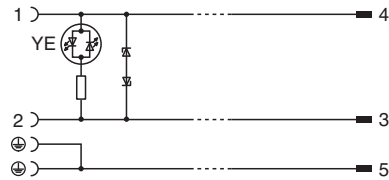
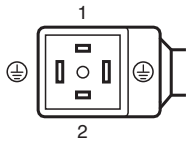
### Material

|                 |  |              |
|-----------------|--|--------------|
| Halogen-free    |  | yes          |
| Connector 1     |  |              |
| Body            |  | TPU, black   |
| Seal            |  | TPU , molded |
| Contact surface |  | Sn           |

**Technical Data**

|                  |                             |
|------------------|-----------------------------|
| Flammability     | V-0                         |
| Connector 2      |                             |
| Screw connection | Zinc diecast, nickel-plated |
| Body             | TPU, black                  |
| Contact surface  | Ni/Au                       |
| Flammability     | HB                          |
| Cable            |                             |
| Sheathing        | PUR                         |
| Cores            | bare copper (Cu)            |
| Core insulation  | PP                          |
| UV resistance    | yes                         |
| Oil resistance   | good                        |
| Flammability     | V-0                         |

**Connection**



Release date: 2025-02-09 Date of issue: 2025-02-10 Filename: 273521\_eng.pdf