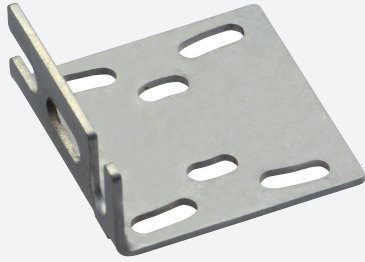


Mounting aid

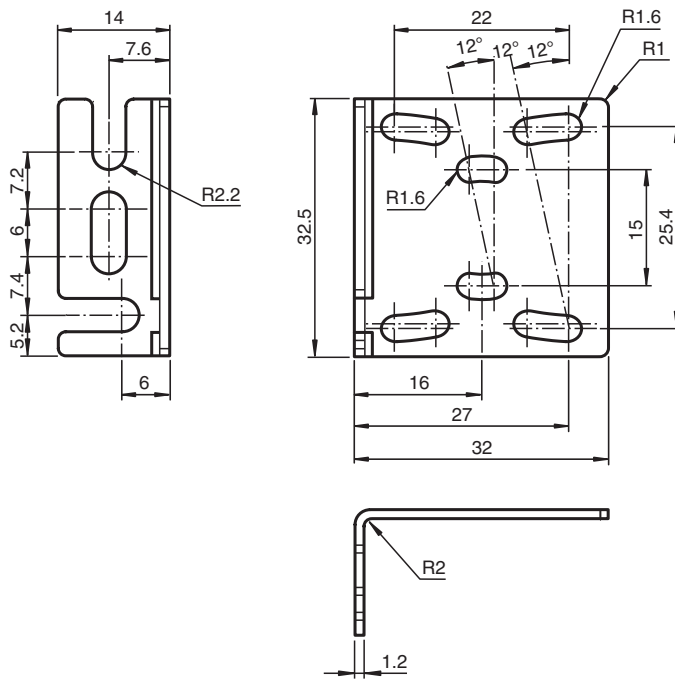
OMH-R10X-04



- Mounting bracket
- Simple and fast mounting

Mounting bracket

Dimensions



Technical Data

Mechanical specifications

Material	Stainless steel
Mass	approx. 11 g

Suitable series

Series	R100 R101
--------	--------------