

## Interface cable UC-PROG-IR-USB



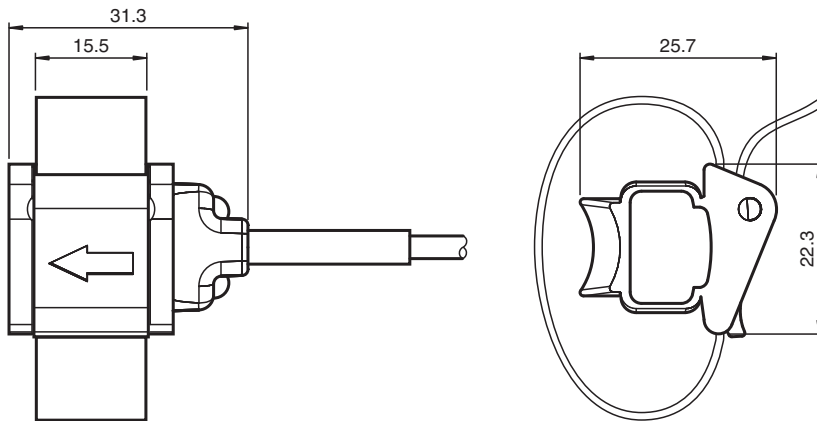
Interface cable for parameterization of sensors with IrDA interface



### Function

The interface cable UC-PROG-IR-USB is suitable for parameterization of ultrasonic sensors with infrared interface (IrDA). Depending on the sensor used, either the configuration tool PACTware with a DTM suitable for the sensor or the service program ULTRA-PROG-IR serves as user interface. The cable establishes a connection between the USB interface of a PC with the infrared interface of the sensor.

### Dimensions



### Technical Data


<b>Indicators/operating means</b>			
LED green			USB communication active
LED yellow			Infrared communication active
<b>Electrical specifications</b>			
Operating current	$I_B$		< 100 mA
<b>Interface 1</b>			
Interface type			Infrared (to the sensor)
Mode			point-to-point connection
<b>Interface 2</b>			
Interface type			USB 2.0 or higher (to the PC)
<b>Compliance with standards and directives</b>			
Standard conformity			

Release date: 2023-02-13 Date of issue: 2023-02-13 Filename: 274846\_eng.pdf

## Technical Data

Standards	EN IEC 60947-5-2:2020 IEC 60947-5-2:2019
<b>Ambient conditions</b>	
Ambient temperature	-25 ... 70 °C (-13 ... 158 °F)
Storage temperature	-40 ... 85 °C (-40 ... 185 °F)
Shock resistance	30 g , 11 ms period
Vibration resistance	10 ... 55 Hz , Amplitude ± 1 mm
<b>Mechanical specifications</b>	
Connection type	Cable connector with cable PUR , 3 m USB-Male Connector Typ A (Standard)
Degree of protection	IP65
Material	black polycarbonate (PC)
<b>General information</b>	
Scope of delivery	Interface cable

## Accessories

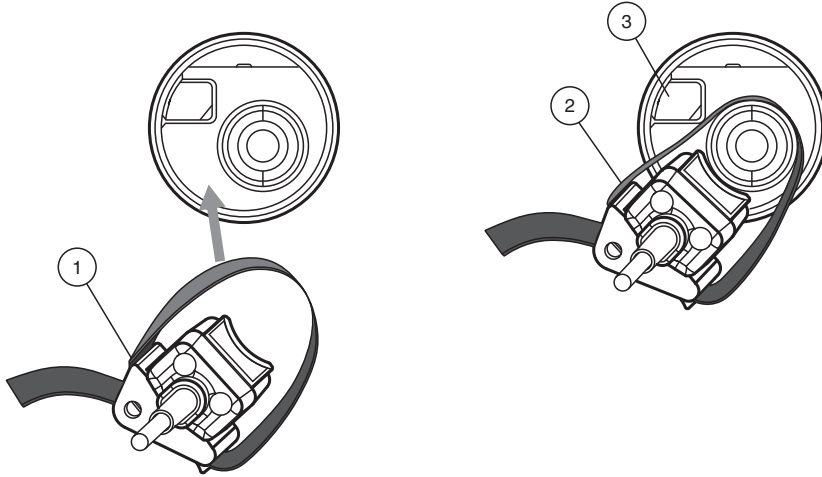
	<b>ULTRA-PROG-IR</b>	Configuration software for ultrasonic sensors
---	----------------------	---

## Additional Information

### Attaching to the Sensor

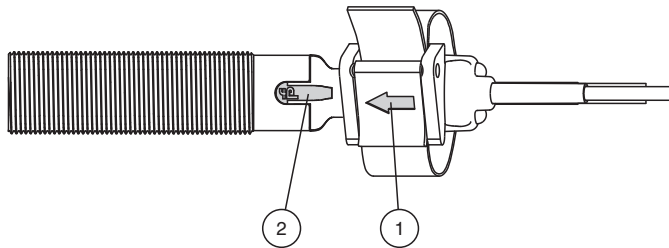
The interface cable UC-PROG-IR-USB can be used for parameterization of ultrasonic sensors of UC\*-30GM70 series and UC\*18GS series with infrared interface (IrDA). Depending on the sensor series, a certain alignment of the sensor to the interface cable is required so that the infrared interfaces can establish a link.

#### For UC\*-30GM70 Series



1. Attach the interface cable (1) to the rear of the sensor with the marking arrow on the interface cable in the direction of the sensor.
2. Align the interface cable (1) to the sensor so that
  - the fastening strap of the interface cable (2) runs below the sensor stop (3).
  - the LEDs of the interface cable are as close as possible to the sensor stop (3).

#### For UC\*-18GS Series



1. Attach the interface cable (1) to the rear of the sensor so that the marking arrow (1) points to the marking of the infrared interface (2) on the sensor.