

Y-Splitter

V1S-Y-V11/V11

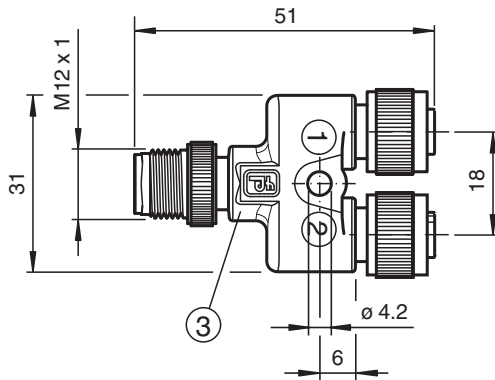


- Easy merging of two signals at a single M12 slot
- Suitable for normally open contacts or 1 signal from antivalent sensors
- Degree of protection IP67
- Free of paint wetting interfering substances
- Knurled nut suitable for tool assembly
- Immunity to vibration, with mechanical latching

Y-Splitter M12 plug 4-pin to 2x M12 socket 3-pin A-coded



Dimensions



Technical Data

General specifications

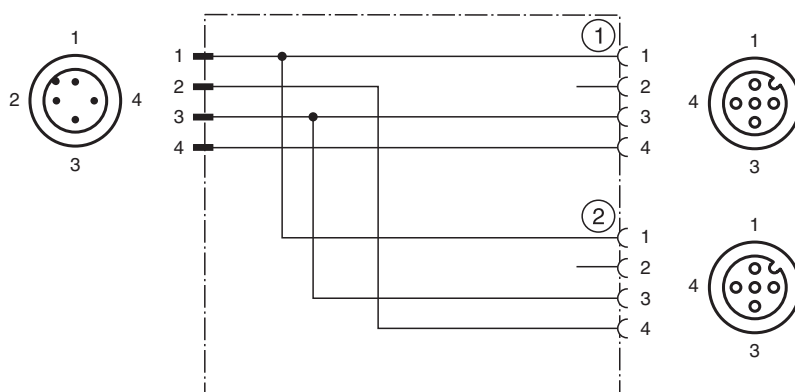
Connector 1		
Connection		socket
Construction type		M12
Style		straight
Locking		screw connection
Number of pins		3
Coding		A-coded
Connector 2		
Connection		socket
Construction type		M12
Style		straight
Locking		screw connection
Number of pins		3
Coding		A-coded
Connector 3		
Connection		plug

Release date: 2023-06-30 Date of issue: 2023-06-30 Filename: 275460_eng.pdf

Technical Data

Construction type	M12	
Style	straight	
Locking	screw connection	
Number of pins	4	
Coding	A-coded	
UL File Number	E231213	
Electrical specifications		
Operating voltage	U_B	max. 48 V AC / 60 V DC
Operating current	I_B	4 A
Conformity		
Degree of protection	EN 60529	
Plug connection	connector M12 x 1 : IEC 61076-2-101	
Flammability	UL 94 , UL 758 / 1581	
Approvals and certificates		
UL approval	UL Recognized General purpose	
Maximum permissible operating voltage	max. 60 V	
Maximum permissible ambient temperature	max. 80 °C (max. 176 °F)	
Ambient conditions		
Ambient temperature	-40 ... 90 °C (-40 ... 194 °F)	
Pollution degree	3	
Mechanical specifications		
Plug connector		
Tightening torque	0.6 Nm	
Loosening protection	available	
Tool installation	straight knurling	
Mating cycles	min. 100	
Degree of protection	IP67	
Mounting	Mounting hole for M4 screw	
Material		
Plug connector		
Screw connection	Zinc diecast, nickel-plated	
Body	TPU	
Contact surface	Au	
Flammability	V-2	

Connection Assignment



Accessories**MH V1-SCREWDRIVER**

Torque screwdriver (0.6 Nm)

**MH V1-BIT M12**

plug-in cap M12