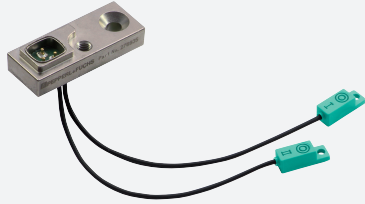


Inductive power clamp sensor

NBN2-F58xxA3-100S3

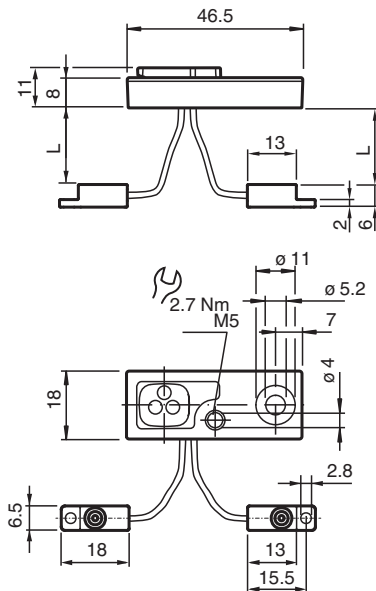


- Technical data are only valid if amplifier unit is connected
- 2 mm non-flush
- For use in direct- and alternating-field welding systems
- Completely halogen and silicon free

Satellite unit



Dimensions



Technical Data

General specifications

Rated operating distance	s_n	2 mm
Installation		non-flush

Compliance with standards and directives

Standard conformity		
Standards		EN IEC 60947-5-2

Approvals and certificates

UL approval		cULus Listed, General Purpose
-------------	--	-------------------------------

Ambient conditions

Ambient temperature		0 ... 50 °C (32 ... 122 °F)
Storage temperature		-25 ... 70 °C (-13 ... 158 °F)

Mechanical specifications

Technical Data

Connection type	Spring contacts, 3 pins flexible leads PUR (halogen-free) L = 100 mm ± 5 mm
Housing material	PA 6 / Diecast zinc
Degree of protection	IP65
Dimensions	
Height	8 mm
Width	18 mm
Length	47 mm
Note	only for use with amplifier unit of NBxx-F58A3x3 family