



Inductive power clamp sensor

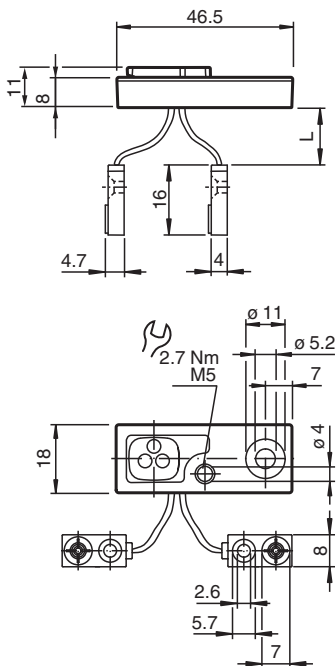
NBN2-F58xxA3-100S18

- Technical data are only valid if amplifier unit is connected
- 2 mm non-flush
- For use in direct- and alternating-field welding systems
- Completely halogen and silicon free

Satellite unit



Dimensions



Technical Data

General specifications		
Rated operating distance	S_n	2 mm
Installation		non-flush
Compliance with standards and directives		
Standard conformity		
Standards		EN IEC 60947-5-2
Approvals and certificates		
UL approval		cULus Listed, General Purpose
Ambient conditions		
Ambient temperature		0 ... 50 °C (32 ... 122 °F)
Storage temperature		-25 ... 70 °C (-13 ... 158 °F)

Release date: 2024-05-28 Date of issue: 2024-06-04 Filename: 276937_eng.pdf

Technical Data

Mechanical specifications

Connection type	Spring contacts, 3 pins flexible leads PUR (halogen-free) L = 105 mm ± 5
Housing material	PA 6 / Diecast zinc
Degree of protection	IP65
Dimensions	
Height	8 mm
Width	18 mm
Length	47 mm
Note	only for use with amplifier unit of NBxx-F58A3x3 family