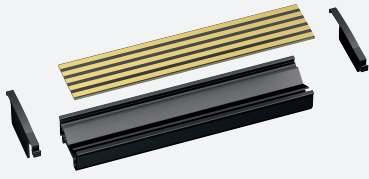


# Power Bus for DIN Mounting Rail

## POWERBUS-SETH5.250



- Bus carrier with bus PCB for 35 mm DIN mounting rail, height 15 mm
- Provides DC supply voltage and the bus connection to all equipped SC-System modules
- Standard length 250 mm (9.84 inch), simple to customize to application space
- Eliminates daisy-chains

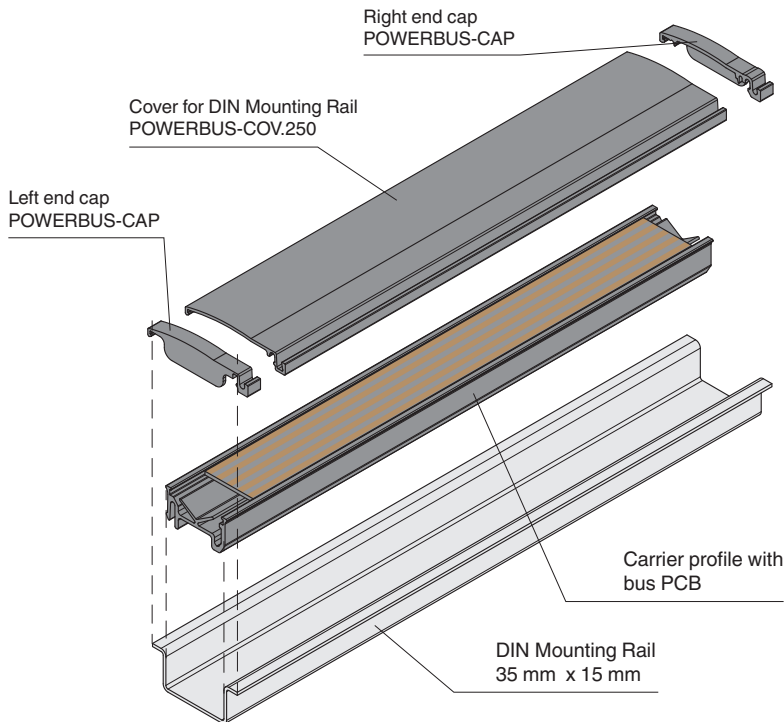
Power bus for 35 mm DIN mounting rail, height: 15 mm, length: 250 mm



### Function

The power bus consists of a bus carrier with bus PCB. In addition, two end caps are attached to the power bus. The component has conductors for power and for bus connections. The component reduces wiring and maintenance costs because it eliminates the need to daisy-chain the wires. It also simplifies expansion – just snap in a new isolator when you're ready to expand a system. The component comes in 250 mm (10 inch) segments but can be cut to any size.

### Assembly



### Technical Data

#### Electrical specifications

Rated voltage	$U_r$	24 V DC
Rated current	$I_r$	3 A

#### Ambient conditions

Release date: 2023-04-18 Date of issue: 2023-04-18 Filename: 278540\_eng.pdf

## Technical Data

Ambient temperature	-25 ... 70 °C (-13 ... 158 °F)
<b>Mechanical specifications</b>	
Connection	5 conductors
Supply	2 Conductors
Fault output	1 Conductors
Dimensions	13 x 25 x 250 mm (0.51 x 1.57 x 9.84 inch)
Mounting	in 35 mm DIN mounting rail acc. to EN 60715:2001 Height: 15 mm
<b>General information</b>	
Scope of delivery	- power bus POWERBUS-SETH5.250 - end cap POWERBUS-CAP
<b>Accessories</b>	
Optional accessories	- cover POWERBUS-COV.250 - end cap POWERBUS-CAP - 35 mm DIN mounting rail acc. to EN 60715

## Safety Information

Cover empty, open segments of the power bus. Use the supplied cover for DIN mounting rail (optional accessory). Thereby power bus will be protected from pollution. The contact with electrically conductive parts on power bus will be prevented.