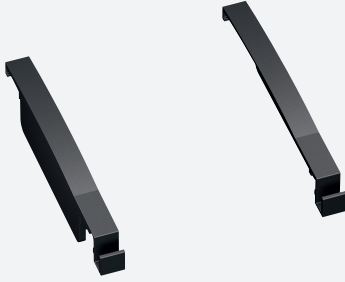


End Cap for Power Bus POWERBUS-CAP



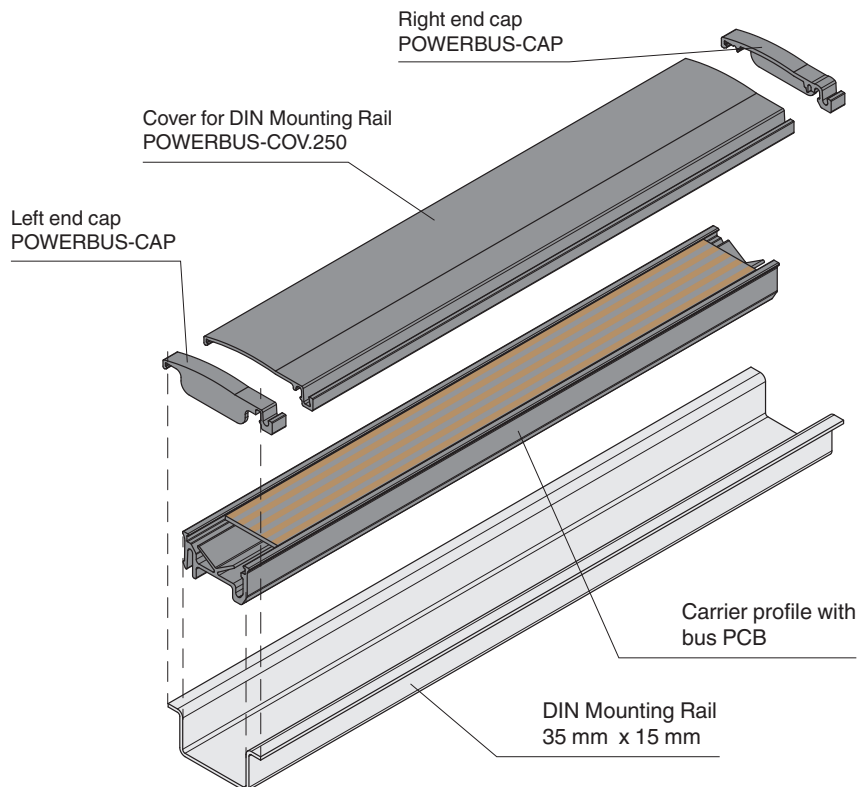
- Fixing of the bus carrier with bus PCB in the DIN mounting rail
- Termination of DIN mounting rail
- Suitable for Power Bus
- Packaging unit: 5 pieces left, 5 pieces right

End Cap for Power Bus

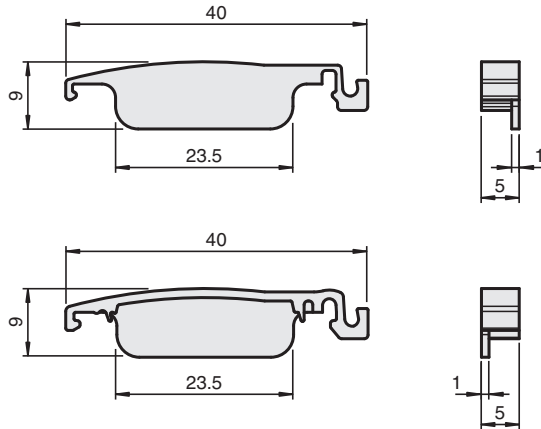
Function

The end cap mounts in the 35 mm DIN mounting rail acc. to DIN EN 60715.
The end cap covers the end of the DIN mounting rail and fixes the bus carrier with bus PCB in the DIN mounting rail.

Assembly



Dimensions



Technical Data

Mechanical specifications

Material	Polycarbonate
Mass	approx. 10 g
Dimensions	17 x 37 x 24 mm (0.67 x 1.46 x 0.95 inch)
Mounting	on 35 mm DIN mounting rail acc. to EN 60715:2001

General information

Packing unit	5 item(s) left 5 item(s) right
--------------	-----------------------------------