



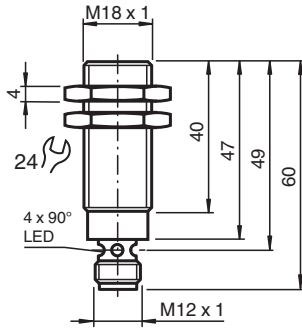
Magnetic field sensor

MMB70-18GH50-E2-V1

- Stainless steel sensing face
- 3-wire DC



Dimensions



Technical Data

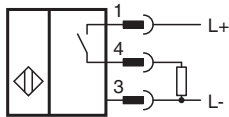
General specifications		
Switching function		Normally open (NO)
Output type		PNP
Rated operating distance	s_n	70 mm
Installation		flush
Output polarity		DC
Actuating element		magnetic
Output type		3-wire
Nominal ratings		
Operating voltage	U_B	10 ... 30 V DC
Switching frequency	f	5000 Hz
Hysteresis	H	1 ... 10 %
Reverse polarity protection		reverse polarity protected
Short-circuit protection		pulsing
Voltage drop	U_d	≤ 2.5 V DC
Operating current	I_L	≤ 200 mA
Current consumption		< 10 mA
Indicators/operating means		
Operation indicator		4-way LED Yellow: output
Compliance with standards and directives		

Release date: 2024-10-17 Date of issue: 2024-10-17 Filename: 278606_eng.pdf

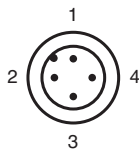
Technical Data

Standard conformity	
Standards	EN IEC 60947-5-2
Approvals and certificates	
UL approval	cULus Listed, General Purpose
CCC approval	CCC approval / marking not required for products rated ≤ 36 V
Ambient conditions	
Ambient temperature	-25 ... 75 °C (-13 ... 167 °F)
Mechanical specifications	
Connection type	Connector plug
Housing material	stainless steel V4A
Sensing face	stainless steel V4A
Degree of protection	IP65 / IP67 /
Connector	
Threading	M12 x 1
Number of pins	4
Dimensions	
Length	60 mm
Diameter	18 mm

Connection



Connection Assignment



Wire colors in accordance with EN 60947-5-2

1	BN	(brown)
2	WH	(white)
3	BU	(blue)
4	BK	(black)