

AS-Interface splitter box

VAZ-T1-FK-G10-F-1M-PUR-V1-G

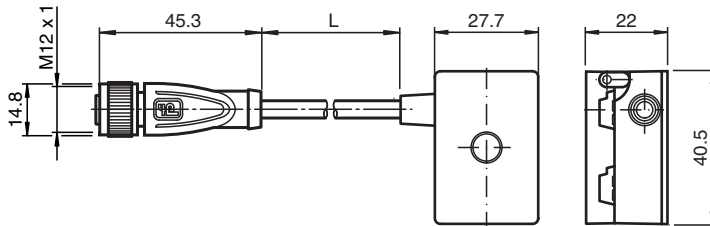


- One piece housing
- Simple and fast mounting
- Fuse with LED display
- Gold-plated and machined contacts
- Oil and abrasion resistant PUR line appropriate for drag chains
- Immunity to vibration
- Degree of protection IP68 / IP69K
- Halogen-free

G10 junction block, LED status indication, AS-Interface to 1x M12 round plug connector



Dimensions



Technical Data

General specifications			
Construction type	Socket, straight Flat cable terminal AS-Interface		
UL File Number	E223772 "For use in NFPA 79 Applications only"		
Indicators/operating means			
LED FAULT	LED red: Fuse unit blown		
LED PWR	LED green: normal operation		
Electrical specifications			
Rated operating voltage	U_e	10 ... 32 V PELV	
Protection class	III		
Short-circuit current	I_k	max. 50 A	
Surge protection	U_e : Over voltage category III, safe isolated power supplies (PELV)		
Output			
Current loading capacity	Rated current of the fuse: 1.6 A Continuous operation: 1.2 A		
Voltage drop	U_d	≤ 0.4 V	
Overload protection	Fuse acc. to UL248-1, UL248-14		

Release date: 2023-11-21 Date of issue: 2023-11-21 Filename: 279018_eng.pdf

Technical Data

Compliance with standards and directives

Directive conformity	
EMC Directive 2004/108/EC	EN 61000-6-2:2005, EN 61000-6-4:2007
Standard conformity	
Noise immunity	EN 61000-6-2:2005
Emitted interference	EN 61000-6-4:2007
Degree of protection	EN 60529:2000

Approvals and certificates

UL approval	cULus Listed, Type 1 enclosure
Maximum permissible ambient temperature	max. 55 °C (max. 131 °F)

Ambient conditions

Ambient temperature	-25 ... 70 °C (-13 ... 158 °F)
Storage temperature	-25 ... 85 °C (-13 ... 185 °F)

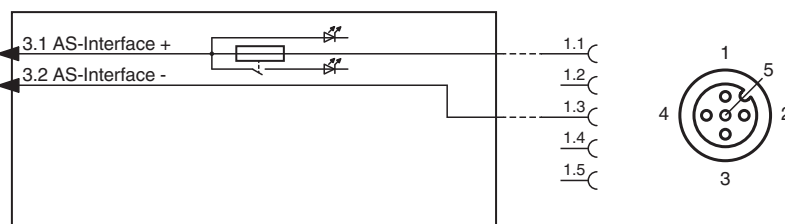
Mechanical specifications

Degree of protection	IP67 IP67 / IP68 / IP69K with flat cable VAZ-FK-S*
Connection	Flat cable AS-Interface: cable piercing method Plug connection: M12 x 1 socket (V1)
Material	
Contacts	CuSn / Au
Housing	PBT PC
Body	PUR, black
Cable	PUR
Mounting screw	Stainless steel 1.4305 / AISI 303

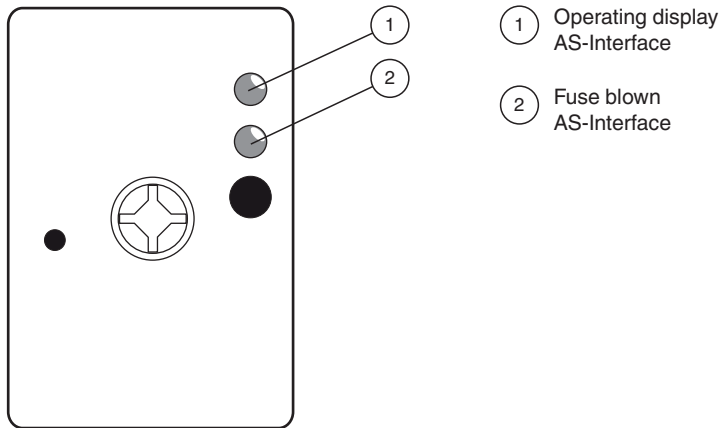
Cable

Sheath diameter	Ø4,3 mm	
Color	black	
Cores	2 x 0.34 mm ²	
Length	L	1 m
Mass	70 g	
Tightening torque, fastening screws	1.65 Nm	
Tightening torque, cable gland	0.4 Nm	
Note	The unused flat cable connector is closed with a seal.	

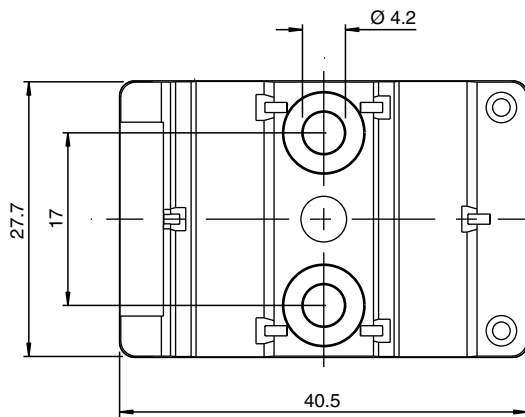
Connection



Assembly



Mounting



You may screw the device onto a level mounting surface using two M4 attachment screws. The attachment screws are not included.