



## AS-Interface Handheld VBP-HH1-V3.0-V1

- Addressing and programming AS-Interface nodes
- Displaying the assigned node addresses and the status of the inputs
- Setting outputs at the AS-Interface node
- Also supports profiles S-7.7.A.7 (Spec 3.0), S-0.B and S-7.B (AS Interface Safety at Work)
- The node connection is short-circuit and overload proof
- Additional M12 plug for external power supply for AS-Interface and AUX
- Connecting cable included with delivery
- Battery charger included with delivery

### AS-Interface Handheld



### Function

The AS-Interface handheld VBP-HH1-V3.0-V1 is an addressing device according to ASInterface specification 3.0. This addressing device is used to program AS-Interface slaves and for function testing purposes.

In addition, the following new functionalities have been integrated:

- Permanent data interchange with AS-Interface slaves
- Support of the data interchange with 4E4A slaves in ext. addressing mode
- Display of the safety code for AS-Interface Safety at Work slaves

The AS-Interface connection adapter on the top of the addressing device is used for the connection of AS-Interface slaves (sensors, actuators and modules) to the addressing device. The following devices and models can be connected via a plug connection on the AS-Interface connection adapter to the addressing device:

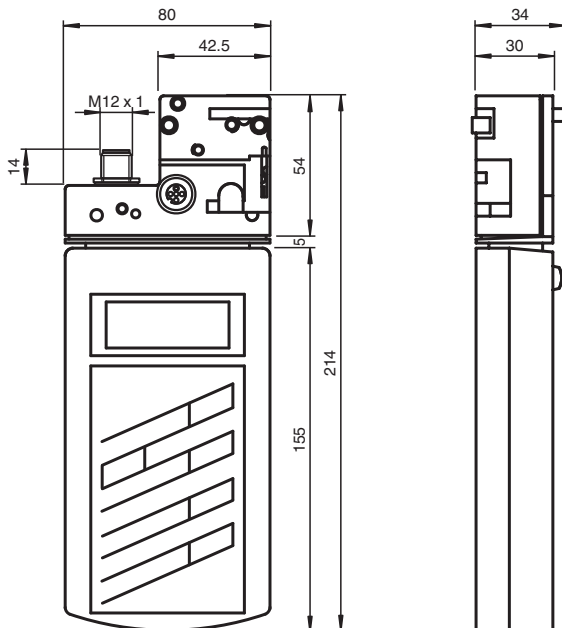
devices with M12 plug, VariKont M system, VariKont system, FP model, AS-Interface module of models G1, G4, G16.

Please use the adapter cable VAZ-PK-1,5M-V1-G (included in the scope of delivery) for device models with integrated addressing jacks.

There is an additional M12 plug on the front side of the housing. It provides a connection possibility with external auxiliary voltage AUX for slaves, which expect this at the connection adapter. Due to the integrated decoupling coil it is also possible to connect DC- or AS-Interface voltage to energize the slave directly and to relieve the internal battery.

A connection cable for the extension is included in the scope of delivery.

### Dimensions

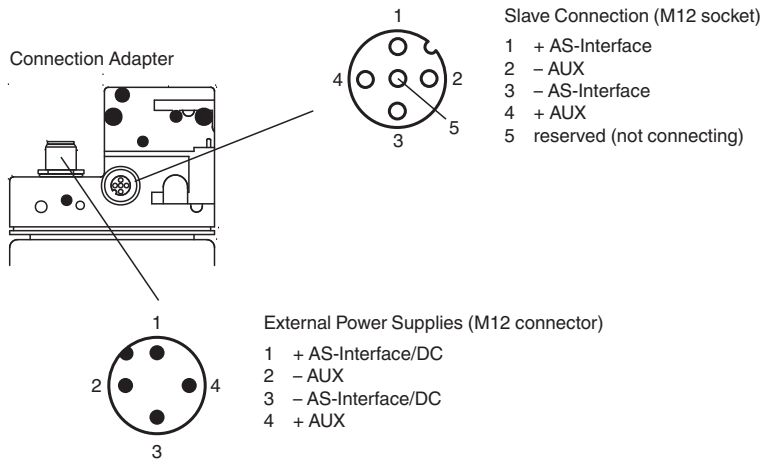


Release date: 2025-02-25 Date of issue: 2025-02-25 Filename: 279457\_eng.pdf

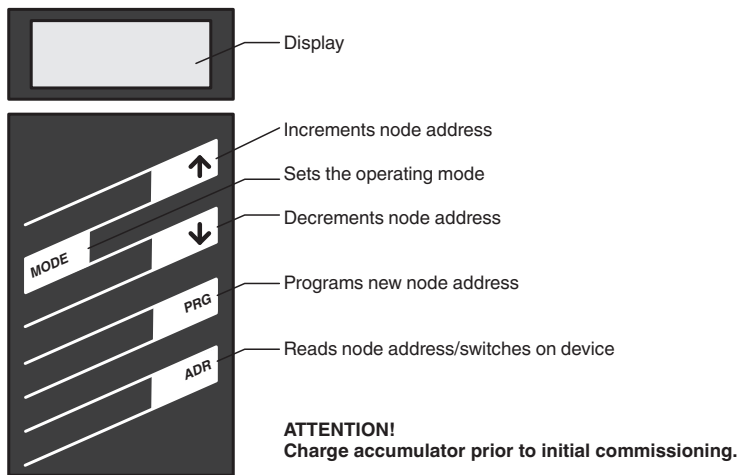
## Technical Data

<b>General specifications</b>	
AS-Interface specification	V3.0
Operating mode	Plug-in charging unit, 230 V AC, included in the delivery package
<b>Indicators/operating means</b>	
Display	LC display
Keyboard	membrane keys, 5 keys
<b>Electrical specifications</b>	
Operating duration	8 h or $\geq 250$ read/write procedures for fully charged battery
Power supply	battery mode, please use only battery charger included with delivery to charge (charging time about 14 h)
<b>Interface</b>	
Interface type	AS-Interface, short-circuit and overload protected
Open loop voltage	28 V (internal power supply)
Load current	100 mA at 25 V (internal power supply)
<b>Interface 2</b>	
Interface type	M12 connector for external power supply
Physical	AUX: 24 V PELV, 2 A (not short-circuit proof) AS-Interface: 31,6 V PELV (DC or AS-Interface), 200 mA (short-circuit proof)
<b>Directive conformity</b>	
Electromagnetic compatibility	
Directive 2014/30/EU	Handheld: EN 61326-1:2013 Plug-in charging unit EN 61000-3-2:2014 , EN 61000-3-3:2013 , EN 61000-4-2:2009 , EN 61000-4-3:2006+A1:2008+A2:2010, EN 61000-4-4:2012, EN 61000-4-5:2014+A1:2017, EN 61000-4-6:2014+AC:2015, EN 61000-4-8:2010, EN 61000-4-11:2004+A1:2017 , EN 55032:2015+AC:2016 , EN 55035:2017
Low voltage	
Directive 2014/35/EU	Plug-in charging unit EN 62368-1:2014+A11:2017
<b>Standard conformity</b>	
Degree of protection	EN 60529:2000
Electrical safety	Plug-in charging unit EN 62368-1:2014+A11:2017
Emitted interference	Handheld: EN 61326-1:2013 Plug-in charging unit EN 55032:2015+AC:2016 , EN 55035:2017
Noise immunity	Handheld: EN 61326-1:2013 Plug-in charging unit EN 61000-3-2:2014 , EN 61000-3-3:2013
<b>Ambient conditions</b>	
Ambient temperature	0 ... 40 °C (32 ... 104 °F)
Storage temperature	-20 ... 40 °C (-4 ... 104 °F)
<b>Mechanical specifications</b>	
Degree of protection	IP20
Material	
Housing	plastic
Mass	approx. 610 g
Dimensions	
Height	34 mm
Width	80 mm
Length	214 mm

**Connection**



**Assembly**



Release date: 2025-02-25 Date of issue: 2025-02-25 Filename: 279457\_eng.pdf