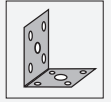




Mounting aid OMH-VDM28-02

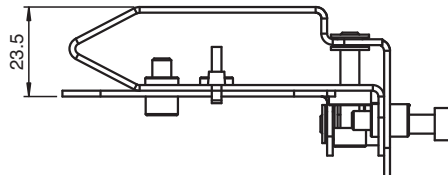
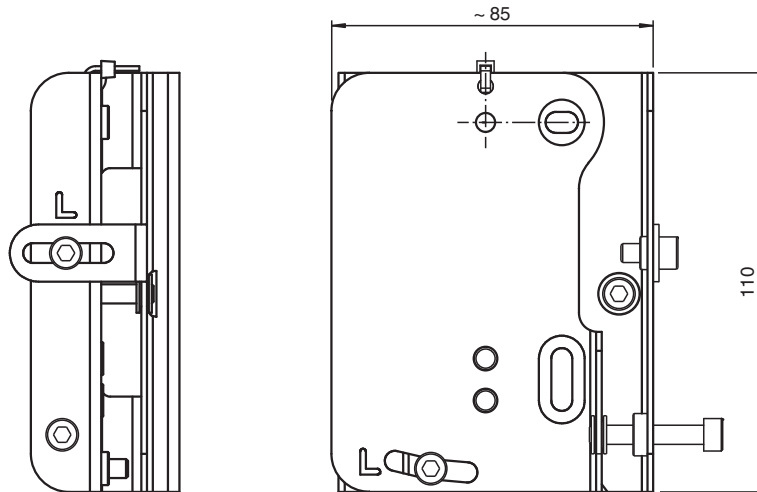
- Simple and fast mounting



Mounting and fine adjustment device for sensors from the 28 series



Dimensions



Technical Data

Mechanical specifications

Material galvanized steel black

Technical Data

Mass	approx. 320 g
Mounting	sensor Mounting accessories included
Suitable series	
Series	VDM28 , Series 28/29 , R300