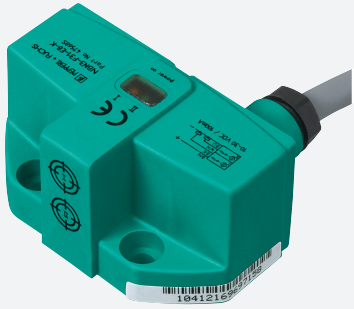


Inductive sensor

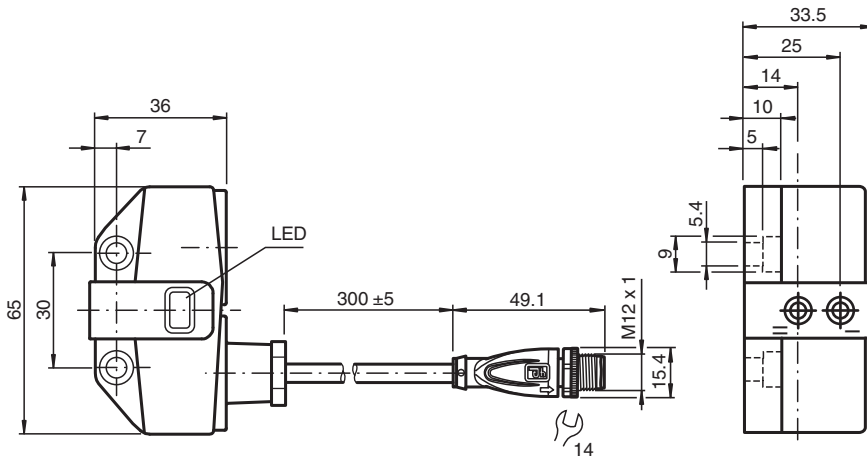
NBN3-F31-Z8-0,3M-V1-Y222967



- Direct mounting on standard actuators
- Fixed setting



Dimensions



Technical Data

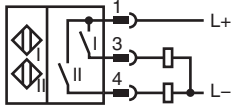
General specifications		
Switching function		2 x normally open (NO)
Output type		Two-wire
Rated operating distance	s_n	3 mm
Installation		flush mountable
Output polarity		DC
Assured operating distance	s_a	0 ... 2.43 mm
Actual operating distance	s_r	2.7 ... 3.3 mm typ. 3 mm
Reduction factor r_{AI}		0.5
Reduction factor r_{Cu}		0.4
Reduction factor r_{304}		1
Reduction factor r_{St37}		1.1
Output type		4-wire
Nominal ratings		
Operating voltage	U_B	6 ... 60 V DC
Switching frequency	f	0 ... 500 Hz
Hysteresis	H	typ. 5 %

Release date: 2025-07-02 Date of issue: 2025-07-02 Filename: 282682_eng.pdf

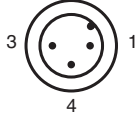
Technical Data

Reverse polarity protection		reverse polarity tolerant
Short-circuit protection		pulsing
Voltage drop	U_d	$\leq 5.5 \text{ V}$
Operating current	I_L	4 ... 100 mA
Lowest operating current	I_m	4 mA
Off-state current	I_r	0.5 ... 0.9 mA typ. 0.65 mA
Time delay before availability	t_v	$\leq 40 \text{ ms}$
Switching state indicator		LED, yellow
Limit data		
Tightening torque, fastening screws		0.4 Nm
Functional safety related parameters		
MTTF _d		570 a
Mission Time (T _M)		20 a
Diagnostic Coverage (DC)		0 %
Compliance with standards and directives		
Standard conformity		
Standards		EN IEC 60947-5-2
Approvals and certificates		
UL approval		cULus Listed Load Type: General Purpose Circuitry: Class 2 Power Source Enclosure Type Rating: Type 1 Supply/Switching Voltage: 60 V DC Output Switching Current: 100 mA
Ambient conditions		
Ambient temperature		-25 ... 70 °C (-13 ... 158 °F)
Mechanical specifications		
Connection type		fixed cable with plug
Housing material		PBT
Sensing face		PBT
Degree of protection		IP67
Connector		
Threading		M12 x 1
Tightening torque		0.6 Nm
Number of pins		3
Cable		
Cable diameter		4.8 mm ± 0.2 mm
Bending radius		> 10 x cable diameter
Material		PVC
Color		grey
Number of cores		3
Core cross section		0.34 mm ²
Length	L	0.3 m
Mass		106 g
Tightening torque, fastening screws		$\leq 5 \text{ Nm}$
Dimensions		
Height		33.5 mm
Width		65 mm
Length		36 mm

Connection



Connection Assignment



Wire colors in accordance with EN 60947-5-2

1		BN	(brown)
3		BU	(blue)
4		BK	(black)