



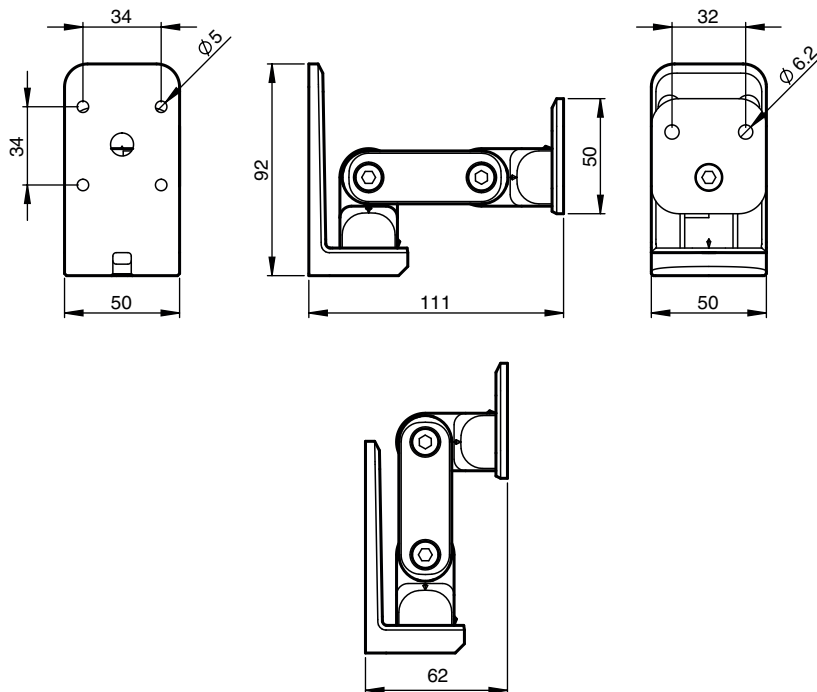
Mounting aid

IUZ-MH13

- Multipart mounting kit
- Wall mounting

Mounting bracket for wall mounting

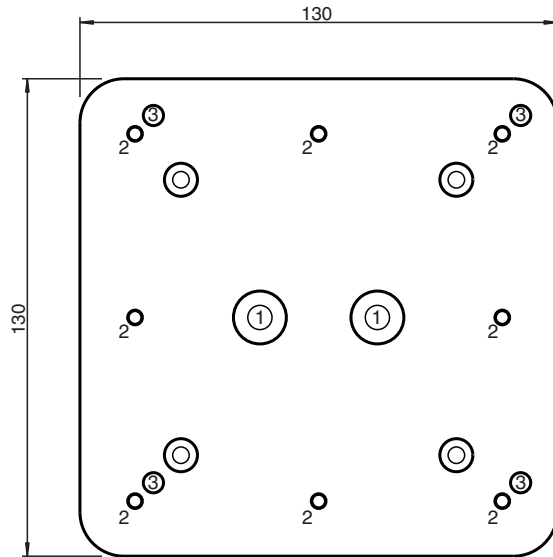
Dimensions



Technical Data

Mechanical specifications

Material	aluminum
Screwed connection	Screws for assembly of the wall bracket included
Mass	515 g
Note	Fully adjustable on all rotational axes



- | | |
|-------------------|------|
| 1 = IUZ-MH13 | Ø M6 |
| 2 = IUH-F190-V1-* | Ø M4 |
| 3 = IUH-F192-V1-* | Ø M5 |