



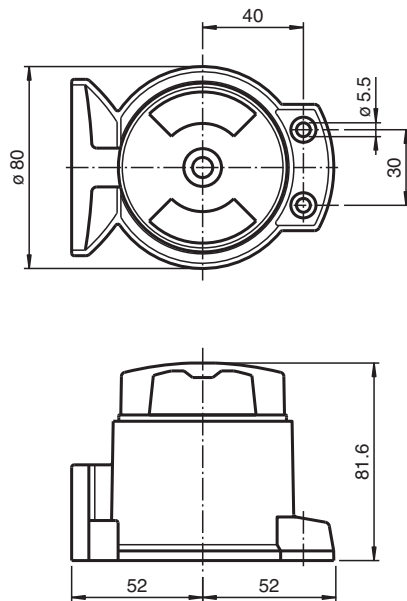
Protective cover

SH-BT65-F31

- Protection against contamination and damage
- Captive screws for easy mounting

Protective cap for mechanical protection and for use in applications in conditions where moisture is present.

Dimensions



Technical Data

Mechanical specifications

Material Polycarbonate

General information

Scope of delivery 2 captive Fixing screws M5 x 16