

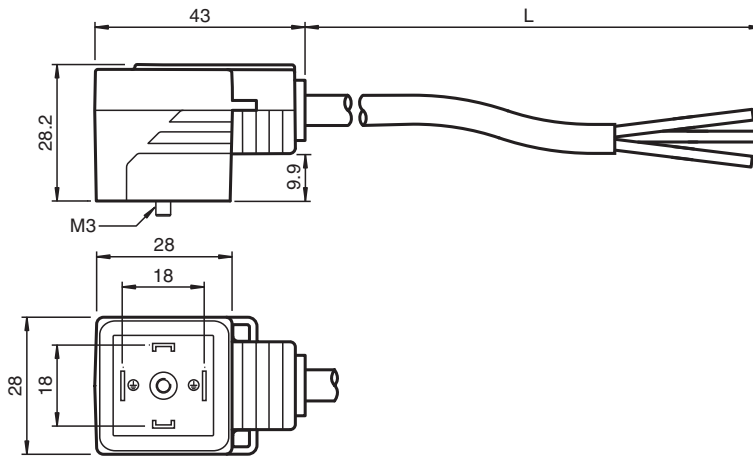
Valve Connector Cordset VMA-2+P/Z2-3M-PUR-O3

- Valve connector according EN 175301-803 A/ISO 4400
- Z diode as a protective circuit
- Built-in LED, as operating and function indicator
- Moulded seal
- freely selectable cable models due to bridged protective earth
- Halogen-free
- Oil resistant

Valve connector Form A, Z-diode, LED 2-pin+PE, PUR cable black, oil resistant, outdoor



Dimensions



Technical Data

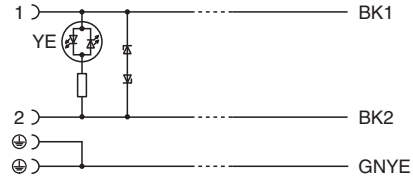
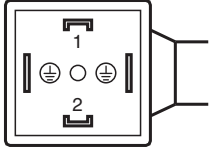
General specifications			
Connector 1			
Connection			Valve connector DIN
Construction type			Valve connector Form A
Style			angled
Locking			screw connection
Number of pins			2 + PE
Connector 2			
Connection			cable end
Customization			sheath stripped 50 mm
Indicators/operating means			
LED yellow			Functional display
Electrical specifications			
Operating voltage	U_B		max. 24 V AC/DC
Operating current	I_B		max. 4 A
Suppression			Zener diode
Conformity			

Release date: 2024-04-14 Date of issue: 2024-04-14 Filename: 285346_eng.pdf

Technical Data

Degree of protection		EN 60529
Plug connection		Valve connector : DIN EN 175301-803
Flammability		UL 94
Halogen-free		DIN VDE 0472-815 , DIN EN 50267-2-1
Oil resistance		DIN EN 50306-1 , DIN EN 60811-2-1
Ambient conditions		
Ambient temperature		
Plug connector		-40 ... 85 °C (-40 ... 185 °F)
Cable, fixed		-40 ... 105 °C (-40 ... 221 °F)
Cable, flexing		-15 ... 105 °C (5 ... 221 °F)
Pollution degree		3
Mechanical specifications		
Plug connector		
Tightening torque		0.6 Nm
Tool installation		screw M3 x 29
Degree of protection		IP65/IP67/IP68
Cable		according to IEC/EN 60228 (DIN VDE 0295) class 5
Sheath diameter		5.9 mm
Bending radius		> 15 x cable diameter, moving > 10 x cable diameter, fixed
Sheath color		black (similar to RAL 9005)
Number of cores		3
Core cross section		0.5 mm ²
Cores color		Core 1: black 1 Core 2: black 2 Core 3: green/yellow
Core construction		16 x 0.2 mm Ø
Length	L	3 m
Cable code		Li 9Y 11Y 3 x 0,50
Mass		248.5 g
Material		
Halogen-free		yes
Plug connector		
Screw connection		Stainless steel 1.4404 / AISI 316L
Body		TPU, black
Seal		TPU , molded
Contact surface		Sn
Flammability		V-0
Cable		
Sheathing		PUR
Cores		Copper tin-plated
Core insulation		PP
UV resistance		yes
Chemical resistance		good
Oil resistance		yes
Microbial resistance		yes
Hydrolysis resistance		yes
Flammability		V-0

Connection



Release date: 2024-04-14 Date of issue: 2024-04-14 Filename: 285346_eng.pdf