



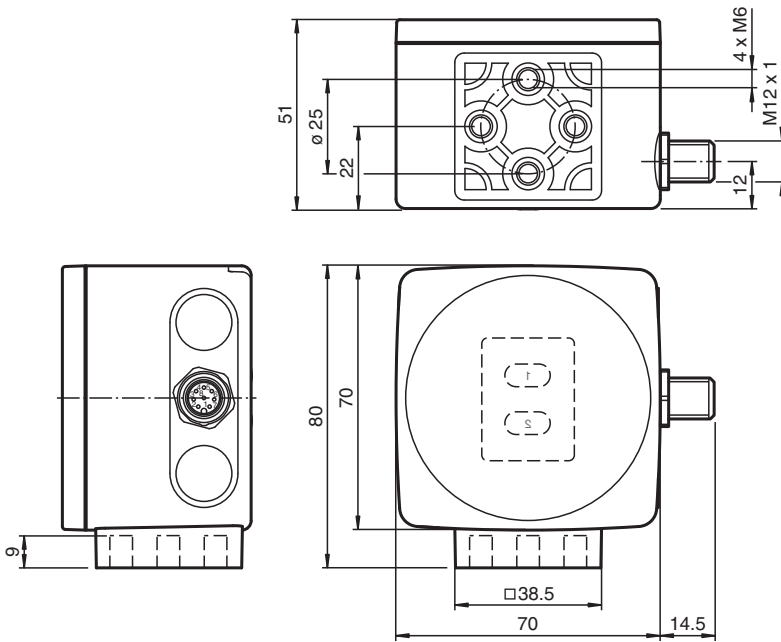
# Optical reading head PGV100-F200-R4-V19

- Mechanically rugged: no wearing parts, long operating life, maintenance-free
- RS-485 interface
- Non-contact positioning on Data Matrix code tape
- Noncontact positioning with Data Matrix TAGs
- Noncontact lane tracking of a colored strip
- Reading of Data Matrix control codes
- White-blue light

Read head for incident light positioning system



## Dimensions



## Technical Data

### General specifications

Passage speed	v	≤ 8 m/s
Measuring range		max. 10000 m
Light type		Integrated LED lightning (white/blue)
Scan rate		25 s <sup>-1</sup>
Latency		60 ms
Read distance		100 mm
Depth of focus		± 20 mm
Reading field		120 mm x 80 mm
Ambient light limit		100000 Lux
Accuracy		± 0.2 mm

### Nominal ratings

Release date: 2024-08-05 Date of issue: 2024-08-05 Filename: 285693-100009\_eng.pdf

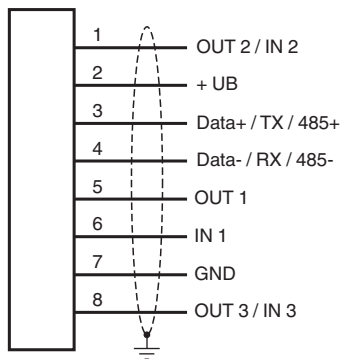
## Technical Data

<b>Camera</b>			
Type	CMOS , Global shutter		
<b>Processor</b>			
Clock pulse frequency	600 MHz		
Speed of computation	4800 MIPS		
Digital resolution	32 Bit		
<b>Functional safety related parameters</b>			
MTTF <sub>d</sub>	89 a		
Mission Time (T <sub>M</sub> )	10 a		
Diagnostic Coverage (DC)	0 %		
<b>Indicators/operating means</b>			
LED indication	7 LEDs (communication, alignment aid, status information)		
<b>Electrical specifications</b>			
Operating voltage	U <sub>B</sub>	15 ... 30 V DC , PELV	
No-load supply current	I <sub>0</sub>	max. 200 mA	
Power consumption	P <sub>0</sub>	3 W	
<b>Interface</b>			
Interface type	RS 485 interface		
Data output code	binary code		
Transfer rate	38400 ... 230400 Bit/s		
Termination	Switchable terminal resistor		
Query cycle time	≥ 10 ms		
<b>Input</b>			
Input type	1 to 3 functional inputs , programmable		
Input impedance	≥ 27 kΩ		
<b>Output</b>			
Output type	1 to 3 switch outputs , PNP , programmable , short-circuit protected		
Switching voltage	Operating voltage		
Switching current	150 mA each output		
<b>Conformity</b>			
Shock resistance	EN 60068-2-27:2009		
Vibration resistance	EN 60068-2-6:2008		
Emitted interference	EN 61000-6-4:2007+A1:2011		
Noise immunity	EN 61326-1:2013		
Photobiological safety	Risk group 1 according to EN 62471:2008		
<b>Approvals and certificates</b>			
CE conformity	CE		
UL approval	cULus Listed, Class 2 Power Source, Type 1 enclosure		
CCC approval	CCC approval / marking not required for products rated ≤36 V		
<b>Ambient conditions</b>			
Operating temperature	0 ... 60 °C (32 ... 140 °F) , -20 ... 60 °C (-4 ... 140 °F) (noncondensing; prevent icing on the lens!)		
Storage temperature	-20 ... 85 °C (-4 ... 185 °F)		
Relative humidity	90 % , noncondensing		
<b>Mechanical specifications</b>			
Connection type	8-pin, M12 x 1 connector		
Degree of protection	IP67		
<b>Material</b>			
Housing	PC/ABS		
Mass	approx. 160 g		
<b>Dimensions</b>			
Height	70 mm		
Width	70 mm		

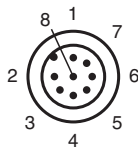
## Technical Data

Depth	50 mm
<b>Factory settings</b>	
X resolution (protocol)	0.1 mm
Y resolution (protocol)	0.1 mm
Speed resolution (protocol)	0.1 m/s
Angle resolution	0.1 °
Baud rate	115200 Bit/s
Extrapolation	On
Read head address	0

## Connection

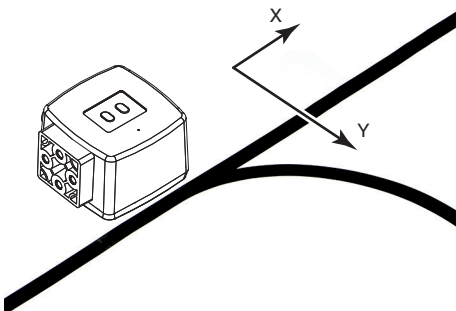


## Connection Assignment

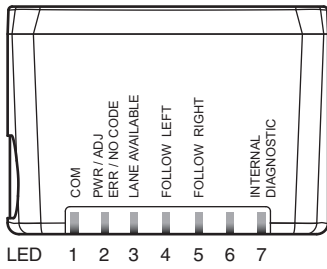
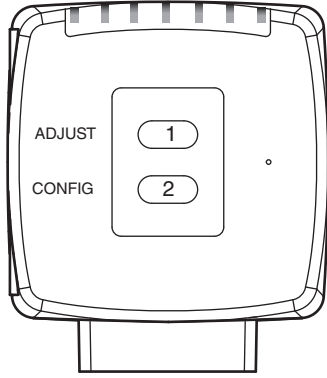


## Characteristic Curve

### Coordinates



## Characteristic Curve



**Additional Information**

**General**

The PGV... reader forms part of the positioning system in the Pepperl+Fuchs incident light process. The reader's features include a camera module and an integrated illumination unit. The reader uses these features to detect a colored strip stuck to the floor to track the lane. The reader also detects control codes and position markers in the form of Data Matrix codes attached to a self-adhesive code tape. The code tape is usually mounted in a fixed position instead of the colored strip or parallel to the colored strip. The reader is located on the front of an automated guided vehicle and guides this vehicle along the colored strip.

**Mounting and Commissioning**

Mount the reader such that the optical surface of the device captures the optimum reading distance to the colored strip (see "Technical Data"). The stability of the mounting and the manner in which the vehicle is guided ensure that the reader is not operated outside of its depth of focus range. The colored strip must not leave the maximum reading window for the reader during this process. All readers can be adapted to optimally meet specific requirements by means of parameterization.

**Indicators and Operating Controls**

The PGV... reader is equipped with seven indicator LEDs for carrying out visual function checks and rapid diagnostics. The reader is equipped with two buttons at the back for activating the alignment aid and parameterization mode.

**LEDs**

LED	Color	Label	Meaning
1	Yellow	COM	Communication active
2	Green/red	PWR ERR/NO CODE	Code detected/not detected, error
3	Yellow	LANE AVAILABLE	Lane available
4	Yellow	FOLLOW LEFT	"Follow left-hand lane" activated
5	Yellow	FOLLOW RIGHT	"Follow right-hand lane" activated
6	Red/green/yellow	INTERNAL	Internal diagnostics
7		DIAGNOSTIC	

**External Parameterization**

In order to parameterize the device externally, the parameterization code is required in the form of a Data Matrix containing the desired reader parameters. Data Matrix code cards detailing the step-by-step process for externally parameterizing the device are printed in the operating instructions for the reader.

The reader can be parameterized only within ten minutes of being switched on. If a key is pressed after ten minutes of the device being switched on, a visual signal is given by the LEDs (LED1, yellow/LED2, red/LED3, yellow/LED4, yellow/LED5, yellow, flashing for two seconds).

- The switchover from normal mode to parameterization mode is made by pressing button 2 on the back of the reader. To switch the device over, button 2 must be pressed and held for more than two seconds. LED3 then flashes.
  - Note:** Parameterization mode is exited automatically if the device is inactive for one minute. In this case, the reader reverts to normal mode and operates without the settings having been changed.
- Place the parameterization code in the field of vision of the camera module. After the parameterization code is detected, the green LED2 lights up for one second. In the event of an invalid parameterization code, LED2 lights up red for two seconds.
- Briefly pressing button 2 will end parameterization mode.

Release date: 2024-08-05 Date of issue: 2024-08-05 Filename: 285693-100009\_eng.pdf