



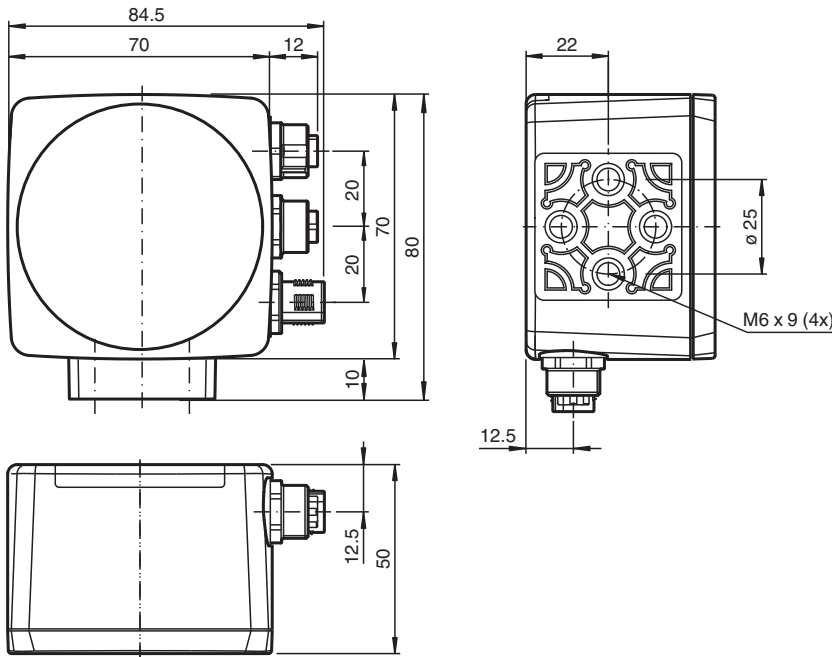
Optical reading head PGV150IQ-F200-B21-V1D

- Mechanically rugged: no wearing parts, long operating life, maintenance-free
- Non-contact positioning on Data Matrix code tape
- Noncontact positioning with Data Matrix TAGs
- Reading of Data Matrix control codes
- Infrared light
- EtherCAT interface
- Output of code quality

Read head for incident light positioning system



Dimensions



Technical Data

General specifications

| | | |
|---------------------|---|-------------------------------------|
| Passage speed | v | ≤ 8 m/s |
| Measuring range | | max. 100000 m |
| Light type | | Integrated LED lightning , infrared |
| Scan rate | | 40 s ⁻¹ |
| Latency | | 50 ms |
| Read distance | | 150 mm |
| Depth of focus | | ± 30 mm |
| Reading field | | 170 mm x 105 mm |
| Ambient light limit | | 100000 Lux |
| Accuracy | | ± 0.2 mm |

Release date: 2024-08-07 Date of issue: 2024-08-07 Filename: 285693-100017_eng.pdf

Technical Data

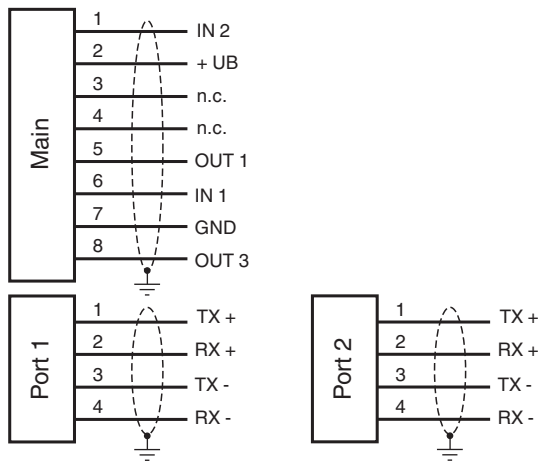
| | | | |
|---|----------------|--|--|
| Nominal ratings | | | |
| Camera | | | |
| Type | | CMOS , Global shutter | |
| Processor | | | |
| Clock pulse frequency | | 600 MHz | |
| Speed of computation | | 4800 MIPS | |
| Digital resolution | | 32 Bit | |
| Functional safety related parameters | | | |
| MTTF _d | | 82 a | |
| Mission Time (T _M) | | 10 a | |
| Diagnostic Coverage (DC) | | 0 % | |
| Indicators/operating means | | | |
| LED indication | | 7 LEDs (communication, alignment aid, status information) | |
| Electrical specifications | | | |
| Operating voltage | U _B | 24 V DC ± 15% , PELV | |
| No-load supply current | I ₀ | max. 400 mA | |
| Power consumption | P ₀ | 6 W | |
| Interface | | | |
| Interface type | | 100 BASE-TX | |
| Protocol | | EtherCAT® | |
| Transfer rate | | 100 MBit/s | |
| Input | | | |
| Input type | | 1 function input 0-level: -U _B or unwired 1-level: +8 V ... +U _B , programmable | |
| Input impedance | | ≥ 27 kΩ | |
| Output | | | |
| Output type | | 1 to 3 switch outputs , PNP , programmable , short-circuit protected | |
| Switching voltage | | Operating voltage | |
| Switching current | | 100 mA each output | |
| Conformity | | | |
| Shock resistance | | EN 60068-2-27:2009 | |
| Vibration resistance | | EN 60068-2-6:2008 | |
| Emitted interference | | EN 61000-6-4:2007+A1:2011 | |
| Noise immunity | | EN 61000-6-2:2005 | |
| Photobiological safety | | exempt group according to EN 62471:2008 | |
| Approvals and certificates | | | |
| CE conformity | | CE | |
| UL approval | | cULus Listed, Class 2 Power Source, Type 1 enclosure | |
| CCC approval | | CCC approval / marking not required for products rated ≤36 V | |
| Ambient conditions | | | |
| Operating temperature | | 0 ... 60 °C (32 ... 140 °F) , -20 ... 60 °C (-4 ... 140 °F) (noncondensing; prevent icing on the lens!) | |
| Storage temperature | | -20 ... 85 °C (-4 ... 185 °F) | |
| Relative humidity | | 90 % , noncondensing | |
| Mechanical specifications | | | |
| Connection type | | 8-pin, M12x1 connector, standard (supply+IO) 4-pin, M12x1 socket, D-coded (LAN) 4-pin, M12x1 socket, D-coded (LAN) | |
| Degree of protection | | IP67 | |
| Material | | | |
| Housing | | PC/ABS | |
| Mass | | approx. 200 g | |
| Dimensions | | | |
| Height | | 70 mm | |

Release date: 2024-08-07 Date of issue: 2024-08-07 Filename: 285693-100017_eng.pdf

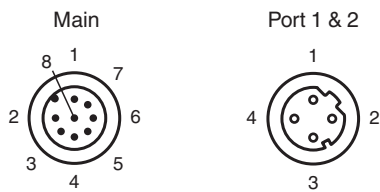
Technical Data

| | |
|-----------------------------|---------|
| Width | 70 mm |
| Depth | 50 mm |
| Factory settings | |
| X resolution (protocol) | 0.1 mm |
| Y resolution (protocol) | 0.1 mm |
| Speed resolution (protocol) | 0.1 m/s |
| Angle resolution | 0.1 ° |
| Extrapolation | On |

Connection



Connection Assignment



Release date: 2024-08-07 Date of issue: 2024-08-07 Filename: 285693-100017_eng.pdf

Indication

