

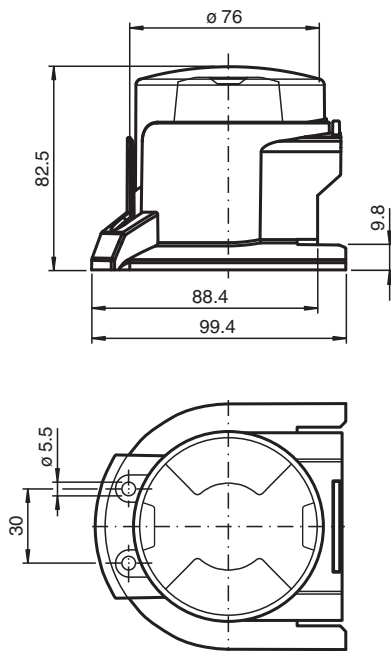


Protective cover SH-BT65-F31K2-01

- Protection against contamination and damage
- Captive screws for easy mounting

Protective housing for activator BT65-F31K2-RG-EN-01

Dimensions



Technical Data

Mechanical specifications

Material rugged polycarbonate (PC) for outdoor use