

# RFID Transponder

## IQC21-50 25pcs

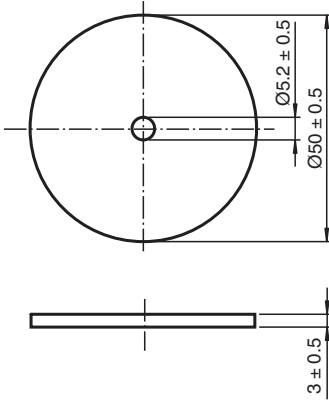


- Operating frequency 13.56 MHz
- Conforms to ISO 15693
- 64 bit Fixcode
- 896 bits memory available
- Readable and writable from both sides
- Degree of protection IP68
- Mounting holes for simple installation

Data carrier



### Dimensions



### Technical Data

#### General specifications

Operating frequency	13.56 MHz
Transfer rate	26 kBit/s

#### Memory

Chip Type	I-CODE SLIX (NXP)
EEPROM	896 Bit
UID	64 Bit
Memory organization	4 bytes/block
Read cycles	unlimited
Write cycles	100000
Data retention period	50 years

#### Directive conformity

Radio equipment	
Directive 2014/53/EU	EN 300330
RoHS	
Directive 2011/65/EU (RoHS)	IEC/EN 63000

#### Standard conformity

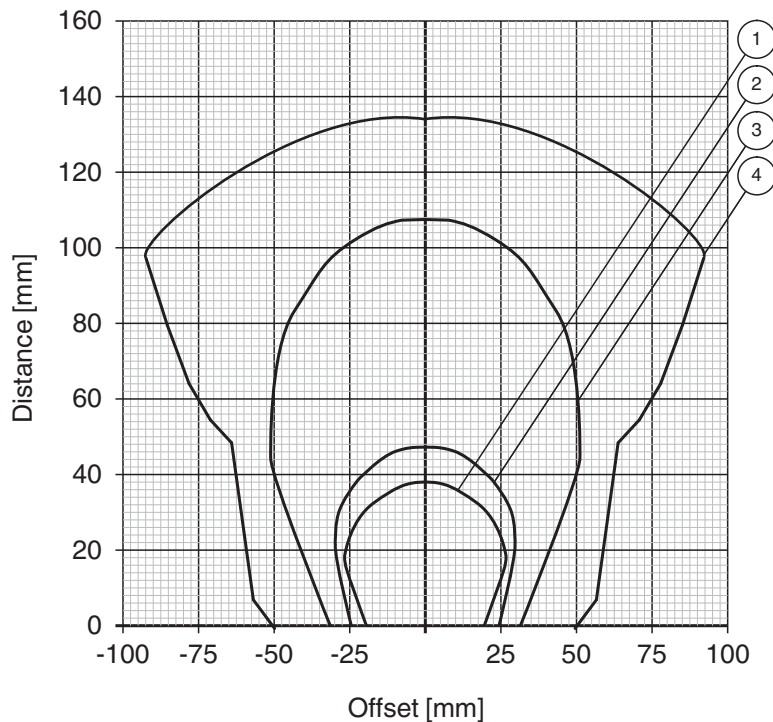
Degree of protection	EN 60529
----------------------	----------

Release date: 2025-04-23 Date of issue: 2025-04-23 Filename: 285978\_eng.pdf

## Technical Data

RFID	ISO/IEC 15693-1 ISO/IEC 15693-2 ISO/IEC 15693-3 ISO/IEC 18000-3
<b>Ambient conditions</b>	
Ambient temperature	-25 ... 85 °C (-13 ... 185 °F)
Storage temperature	-40 ... 85 °C (-40 ... 185 °F) 160 °C (320 °F) for 50 hours 220 °C (428 °F) for 30 min
<b>Mechanical specifications</b>	
Degree of protection	IP68
Material	
Housing	PA 6
Installation	
In air	yes
Dimensions	
Height	3 mm
Diameter	50 mm
Construction type	Cylindrical
Note	Packaging unit, 25-piece

Reading range in air IQC21-50P



① IQH1-18GM-V1    ② IQH1-F61-V1    ③ IQH1-FP-V1

④ IQH1-F15-V1

## Application

The transponder can be read and written from either side.