

SMART Transmitter Power Supply KCD2-STC-Ex1.20.ES

- 1-channel isolated barrier
- 24 V DC supply (Power Rail)
- Input for 2-wire SMART transmitters and current sources
- Signal splitter (1 input and 2 outputs)
- Dual output 0/4 mA ... 20 mA or 0/1 V ... 5 V
- Terminal blocks with test sockets
- Up to SIL 3 acc. to IEC/EN 61508



Function

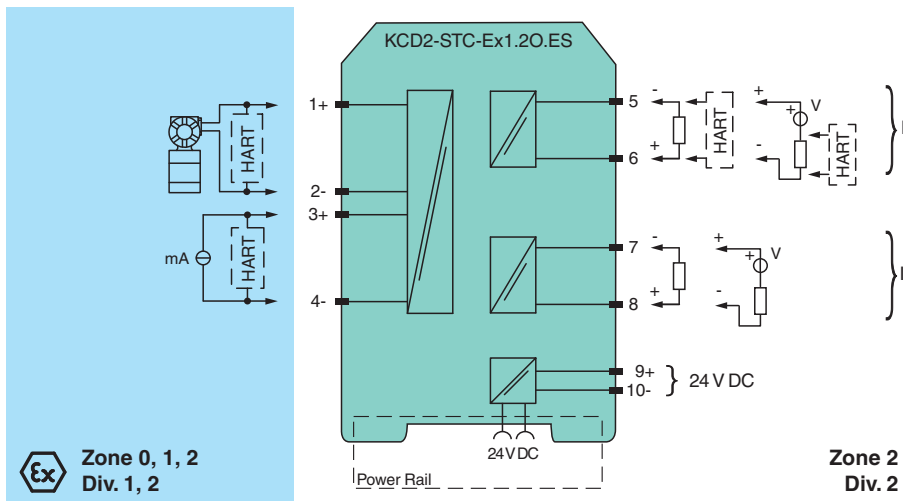
This isolated barrier is used for intrinsic safety applications. The device supplies 2-wire transmitters in the hazardous area, and can also be used with current sources. It transfers the analog input signal to the safe area as two isolated output signals. Bi-directional communication is supported for SMART transmitters that use current modulation to transmit data and voltage modulation to receive data. The output is selected as a current source, current sink, or voltage source via switches. Test sockets for the connection of HART communicators are integrated into the terminals of the device.

Application

The device supports the following SMART protocols:

- HART
- BRAIN

Connection



Technical Data

General specifications	
Signal type	Analog input
Functional safety related parameters	
Safety Integrity Level (SIL)	SIL 3
Systematic capability (SC)	SC 3
Supply	

Release date: 2023-06-01 Date of issue: 2023-06-01 Filename: 286746_eng.pdf

Technical Data

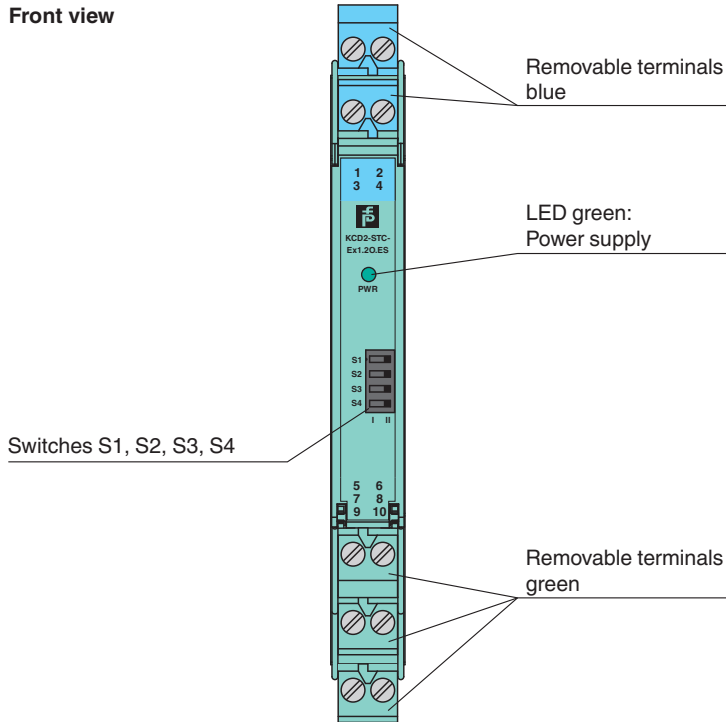
Connection		Power Rail or terminals 9+, 10-
Rated voltage	U_r	19 ... 30 V DC
Ripple		within the supply tolerance
Power dissipation		approx. 1.4 W at 20 mA transfer current, 250 Ω in both outputs
Power consumption		2 W
Input		
Connection side		field side
Connection		terminals 1+, 2- (sink); 3+, 4- (source)
Input signal		0/4 ... 20 mA
Voltage drop		terminals 3, 4: ≤ 6.1 V at 20 mA
Short-circuit current		terminals 1+, 2-: 25 mA
Input resistance		terminals 1+, 2-: max. 500 Ω (BRAIN) (250 Ω load)
Available voltage		terminals 1+, 2-: ≥ 16 V at 20 mA , ≥ 18.5 V at 4 mA
Output		
Connection side		control side
Connection		source: terminals 5-, 6+; 7-, 8+ sink: terminals 5+, 6-, 7+, 8-
Load		channel 1: 0 ... 500 Ω (20 mA)/> 1 M Ω (5 V) channel 2: 0 ... 500 Ω (20 mA)/> 1 M Ω (5 V)
Output signal		0/4 ... 20 mA or 0/1 ... 5 V
Ripple		max. 50 μ A _{rms}
Transfer characteristics		
Deviation		$I_{out} < 20$ μ A (0.1 %); $V_{out} < 10$ mV (0.2 %) incl. calibration, linearity, hysteresis and fluctuation of supply voltage, at 20 °C (68 °F), 0/4 ... 20 mA, 0/1 ... 5 V
Influence of ambient temperature		current output: 0.25 μ A/K voltage output: 80 μ V/K
Frequency range		field side into the control side: bandwidth with 0.5 V _{pp} signal 0 ... 6 kHz (-3 dB) control side into the field side: bandwidth with 0.5 V _{pp} signal 0.3 ... 6 kHz (-3 dB)
Settling time		6 ms
Rise time/fall time		2 ms
Galvanic isolation		
Output/power supply		functional insulation, rated insulation voltage 50 V AC
Output/Output		functional insulation, rated insulation voltage 50 V AC
Indicators/settings		
Display elements		LED
Control elements		DIP switch
Configuration		via DIP switches
Labeling		space for labeling at the front
Directive conformity		
Electromagnetic compatibility		
Directive 2014/30/EU		EN 61326-1:2013 (industrial locations)
Conformity		
Electromagnetic compatibility		NE 21:2012 EN 61326-3-2:2008
Degree of protection		IEC 60529:2001
Protection against electrical shock		UL 61010-1:2012
Ambient conditions		
Ambient temperature		-20 ... 60 °C (-4 ... 140 °F) extended ambient temperature range up to 70 °C (158 °F), refer to manual for necessary mounting conditions
Mechanical specifications		
Degree of protection		IP20
Connection		screw terminals
Mass		approx. 100 g
Dimensions		12.5 x 124 x 114 mm (0.5 x 4.9 x 4.5 inch) (W x H x D) , housing type A2

Technical Data


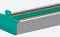
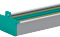
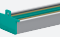


Mounting	on 35 mm DIN mounting rail acc. to EN 60715:2001	
Data for application in connection with hazardous areas		
EU-type examination certificate	BASEEFA 13 ATEX 0077 X	
Marking	Ⓜ II (1)G [Ex ia Ga] IIC Ⓜ II (1)D [Ex ia Da] IIIC Ⓜ I (M1) [Ex ia Ma] I	
Input	[Ex ia Ga] IIC, [Ex ia Da] IIIC, [Ex ia Ma] I	
Supply		
Maximum safe voltage	U_m	250 V (Attention! The rated voltage can be lower.)
Equipment	terminals 1+, 2-	
Voltage	U_o	25.2 V
Voltage	U_q	28.2 V
Current	I_o	93 mA
Power	P_o	656 mW
Internal capacitance	C_i	10 nF
Internal inductance	L_i	0 mH
Equipment	terminals 3+, 4-	
Voltage	U_i	30 V
Current	I_i	115 mA
Power	P_i	700 mW
Voltage	U_o	5 V
Current	I_o	6.8 mA
Power	P_o	1.6 mW
Output		
Maximum safe voltage	U_m	250 V (Attention! The rated voltage can be lower.)
Certificate	BASEEFA 13 ATEX 0078 X	
Marking	Ⓜ II 3G Ex nA IIC T4 Gc	
Galvanic isolation		
Input/Output	safe electrical isolation acc. to IEC/EN 60079-11, voltage peak value 375 V	
Input/power supply	safe electrical isolation acc. to IEC/EN 60079-11, voltage peak value 375 V	
Directive conformity		
Directive 2014/34/EU	EN IEC 60079-0:2018+AC:2020 , EN 60079-11:2012 , EN 60079-15:2010	
International approvals		
UL approval		
Control drawing	116-0380 (cULus)	
IECEx approval		
IECEx certificate	IECEx BAS 13.0043X	
IECEx marking	[Ex ia Ga] IIC , [Ex ia Da] IIIC , [Ex ia Ma] I	
General information		
Note	Both output loads must be connected to ensure complete and correct operation within the technical specification.	
Supplementary information	Observe the certificates, declarations of conformity, instruction manuals, and manuals where applicable. For information see www.pepperl-fuchs.com .	

Assembly





Front view



Matching System Components

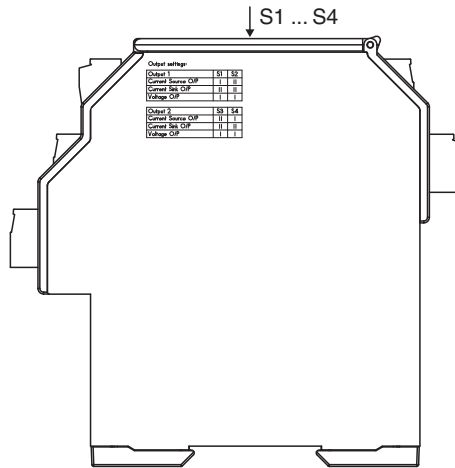
	KFD2-EB2	Power Feed Module
	UPR-03	Universal Power Rail with end caps and cover, 3 conductors, length: 2 m
	UPR-03-M	Universal Power Rail with end caps and cover, 3 conductors, length: 1,6 m
	UPR-03-S	Universal Power Rail with end caps and cover, 3 conductors, length: 0.8 m
	K-DUCT-BU	Profile rail, wiring comb field side, blue
	K-DUCT-BU-UPR-03	Profile rail with UPR-03- * insert, 3 conductors, wiring comb field side, blue

Accessories

	KC-ST-5GN	Terminal block for KC modules, 2-pin screw terminal, green
	KC-STP-5GN	Terminal block for KC modules, 2-pin screw terminal, with test sockets, green
	KC-STP-5BU	Terminal block for KC modules, 2-pin screw terminal, with test sockets, blue
	KF-CP	Red coding pins, packaging unit: 20 x 6

Release date: 2023-06-01 Date of issue: 2023-06-01 Filename: 286746_eng.pdf

Configuration



Output switch settings

Output 1	S1	S2
Current source output	I	II
Current sink output	II	II
Voltage output	I	I
Not valid	II	I

Output 2	S3	S4
Current source output	II	I
Current sink output	II	II
Voltage output	I	I
Not valid	I	II

Factory settings: current source output, for both channels.