



## RFID read/write device

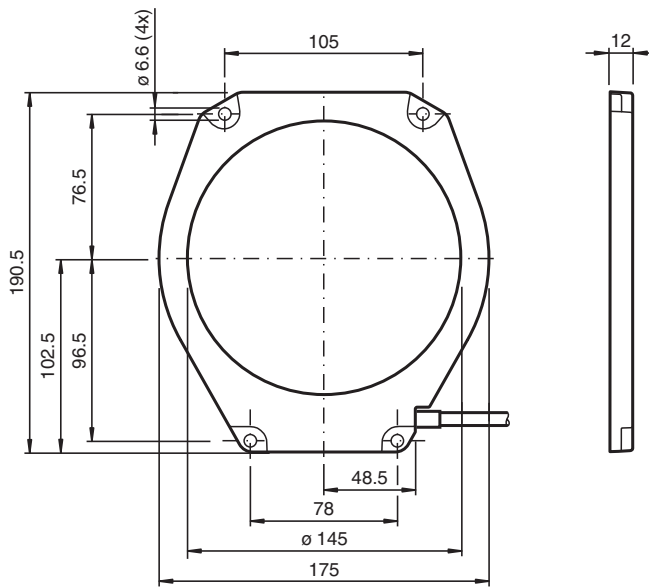
### IQH1-F198-V1

- Operating frequency 13.56 MHz
- Conforms to ISO 15693
- Suitable for FRAM transponder
- Particularly flat construction
- Connection cable with V1 plug (M12 x 1)
- Degree of protection IP67
- For connection to IDENTControl control interface

HF RFID read/write device, ISO 15693, for IDENTControl



## Dimensions



## Technical Data

### General specifications

Operating frequency	13.56 MHz
Transfer rate	26 kBit/s
Sensing range	
Read distance	0 ... 150 mm
Write distance	0 ... 150 mm
Width	max. 145 mm
UL File Number	E87056
MTBF	365 a (Operation at +40 °C)

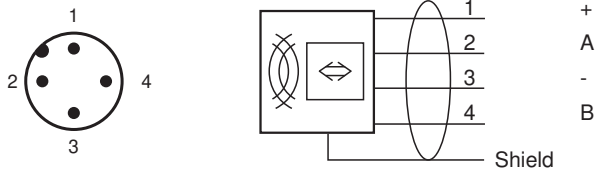
### Indicators/operating means

Release date: 2023-08-07 Date of issue: 2023-08-07 Filename: 287530\_eng.pdf

## Technical Data

LED green/yellow		green: power on green flashing: read/write attempt performed yellow: data carrier detected
<b>Electrical specifications</b>		
Power consumption	$P_0$	$\leq 1.3 \text{ W}$
Supply		from the IDENTControl
<b>Directive conformity</b>		
Radio equipment		
Directive 2014/53/EU		EN 301489-1 EN 301489-3 EN 300330 EN 62368-1 EN 50364
RoHS		
Directive 2011/65/EU (RoHS)		IEC/EN 63000
<b>Standard conformity</b>		
Degree of protection		EN 60529
RFID		ISO/IEC 15693-2 ISO/IEC 15693-3 ISO/IEC 18000-3
<b>Approvals and certificates</b>		
FCC approval		This device complies with part 15 of the FCC rules. Operation is subject to the following two conditions: (1) This device may not cause harmful interference, and (2) This device must accept any interference received, including interference that may cause undesired operation. <b>Caution:</b> Changes or modifications not expressly approved by the party responsible for compliance could void the user's authority to operate the equipment.
IC approval		This device complies with Industry Canada licence-exempt RSS standard(s) and with part 15 of the FCC Rules. Operation is subject to the following two conditions: (1) this device may not cause interference, and (2) this device must accept any interference, including interference that may cause undesired operation of the device. Le présent appareil est conforme aux CNR d'Industrie Canada applicables aux appareils radio exempts de licence. L'exploitation est autorisée aux deux conditions suivantes : (1) l'appareil ne doit pas produire de brouillage, et (2) l'utilisateur de l'appareil doit accepter tout brouillage radioélectrique subi, même si le brouillage est susceptible d'en compromettre le fonctionnement.
MIC approval		AC-21096
Radio approval		USA: FCC IREIQH1F198V1 Canada: IC 7037A-IQH1F198V1
<b>Ambient conditions</b>		
Ambient temperature		-25 ... 70 °C (-13 ... 158 °F)
Storage temperature		-40 ... 85 °C (-40 ... 185 °F)
<b>Mechanical specifications</b>		
Housing length		190.5 mm
Housing width		175 mm
Housing height		12 mm
Degree of protection		IP67
Connection		connector M12 x 1
Material		
Housing		PA 6.6
Encapsulation compound		WEVO 403FL/300
Installation		
Distance between two heads		Multiplex on: $\geq 100 \text{ mm}$ Multiplex off: $\geq 150 \text{ mm}$
Mass		approx. 200 g
Cable length		20 cm

## Connection





## Accessories

	<b>IC-KP-B6-V15B</b>	Control interface unit IDENTControl with PROFIBUS DP interface
	<b>IC-KP-B17-AIDA1</b>	IDENTControl control interface with Ethernet interface for TCP/IP, PROFINET, EtherNet/IP, and MODBUS TCP protocols
	<b>IC-KP2-2HRX-2V1</b>	Control interface unit IDENTControl Compact with serial interface RS-232 and RS-485
	<b>IC-KP2-2HB6-V15B</b>	Control interface unit IDENTControl Compact with interface for PROFIBUS DP
	<b>IC-KP2-2HB17-2V1D</b>	IDENTControl Compact control interface with Ethernet interface for TCP/IP, PROFINET, EtherNet/IP, and MODBUS TCP protocols
	<b>IC-KP2-2HB21-2V1D</b>	Control interface unit IDENTControl Compact with EtherCAT interface
	<b>IQC21-50F-T10</b>	Data carrier
	<b>IQC21-58</b>	Data carrier
	<b>IQC22-22-T9 50pcs</b>	Data carrier
	<b>IQC33-20 50pcs</b>	Data carrier
	<b>V1-G-2M-PUR-ABG-V1-W</b>	Cordset M12 socket straight to M12 plug angled A-coded, 4-pin, PUR cable grey, shielded
	<b>V1-G-5M-PUR-ABG-V1-W</b>	Cordset M12 socket straight to M12 plug angled A-coded, 4-pin, PUR cable grey, shielded
	<b>V1-G-10M-PUR-ABG-V1-W</b>	Cordset M12 socket straight to M12 plug angled A-coded, 4-pin, PUR cable grey, shielded
	<b>IQC33-50 25pcs</b>	Data carrier
	<b>IQC21-50 25pcs</b>	Data carrier
	<b>IQC33-30 25pcs</b>	Data carrier
	<b>IQC21-30 25pcs</b>	Data carrier

Release date: 2023-08-07 Date of issue: 2023-08-07 Filename: 287530\_eng.pdf

**Accessories**

	<b>IQC21-16 50pcs</b>	Data carrier
	<b>IQC21-10</b>	Data carrier