

RFID Transponder

IQC33-50 25pcs



- Operating frequency 13.56 MHz
- Conforms to ISO 15693
- 64 bit Fixcode
- 2000 bytes memory available
- Unlimited writeable
- Degree of protection IP68
- Readable and writable from both sides
- Mounting holes for simple installation

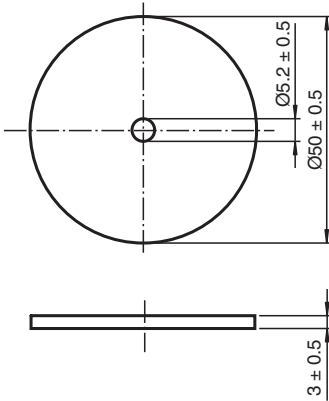
Data carrier



Application

The transponder can be read and written from either side.

Dimensions



Technical Data

General specifications	
Operating frequency	13.56 MHz
Transfer rate	26 kBit/s
Memory	
Chip Type	FRAM MB89R118 (Fujitsu)
FRAM	16 kBit
UID	64 Bit
Memory organization	8 bytes/block
Read cycles	unlimited
Write cycles	unlimited
Data retention period	10 years
Directive conformity	
Radio equipment	
Directive 2014/53/EU	EN 300330
RoHS	
Directive 2011/65/EU (RoHS)	IEC/EN 63000

Release date: 2025-04-23 Date of issue: 2025-04-23 Filename: 288646_eng.pdf

Technical Data

Standard conformity

Degree of protection	EN 60529
----------------------	----------

RFID	ISO/IEC 15693-1 ISO/IEC 15693-2 ISO/IEC 15693-3 ISO/IEC 18000-3
------	--

Ambient conditions

Ambient temperature	-40 ... 85 °C (-40 ... 185 °F)
---------------------	--------------------------------

Storage temperature	-40 ... 85 °C (-40 ... 185 °F) 160 °C (320 °F) for 50 hours 220 °C (428 °F) for 30 min
---------------------	--

Mechanical specifications

Degree of protection	IP68
----------------------	------

Material	
----------	--

Housing	PA 6
---------	------

Installation	
--------------	--

In air	yes
--------	-----

Mass	5 g
------	-----

Dimensions	
------------	--

Height	3 mm
--------	------

Diameter	50 mm
----------	-------

Construction type	Cylindrical
-------------------	-------------

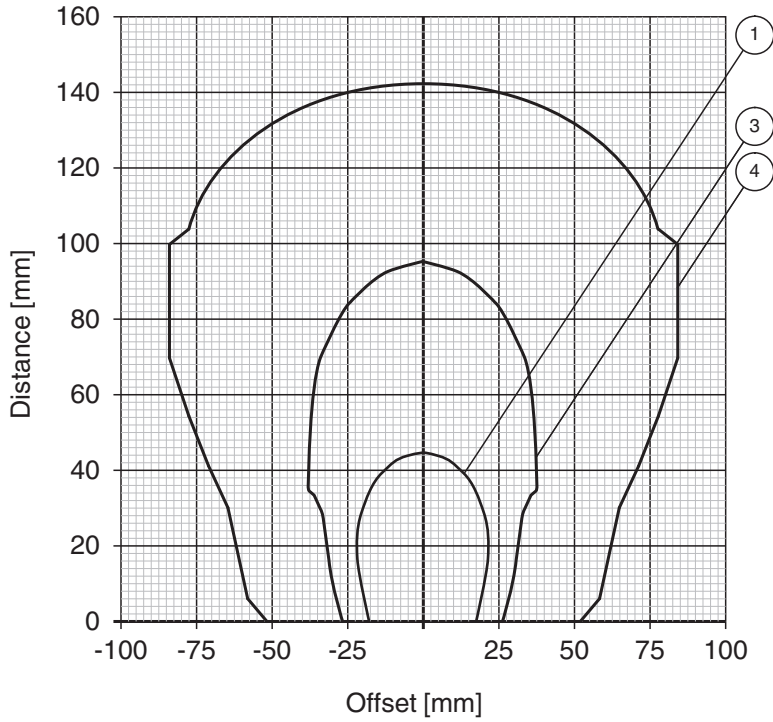
Note	Packaging unit, 25-piece
------	--------------------------

Mounting

High temperatures will cause the housing to expand.
If the housing is assembled under mechanical stress, the resulting pressure may damage the tag.
Install the tag loosely to allow for expansion due to high temperatures.

Characteristic Curve

Reading range in air IQC33-50



- ① IQH1-18GM-V1 ② IQH1-F61-V1 ③ IQH1-FP-V1
 ④ IQH1-F15-V1