

Gateway

OHV-F230-B17

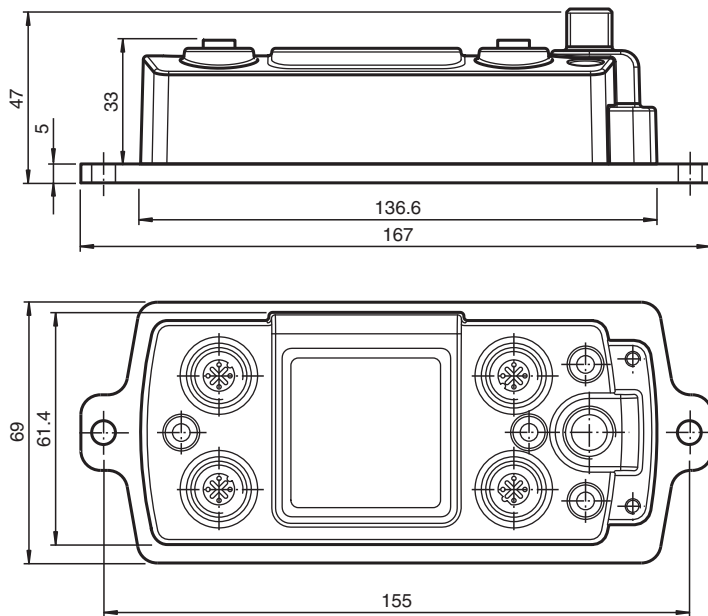


- PROFINET interface with integrated switch
- LED status indicator of power on, communication monitoring, inputs and outputs

PROFINET Gateway for OHV handheld



Dimensions



Technical Data

Functional safety related parameters

MTTF _d	110 a
Mission Time (T _M)	20 a
Diagnostic Coverage (DC)	0 %

Indicators/operating means

LED green	LINK 1/LINK2: Port 1/2 connected
LED yellow	ACTIVITY 1/ACTIVITY 2: data at port 1/2
LED red	BUS ERR: Communication error
LED red/green	PWR/ERR: green: on; red: system error

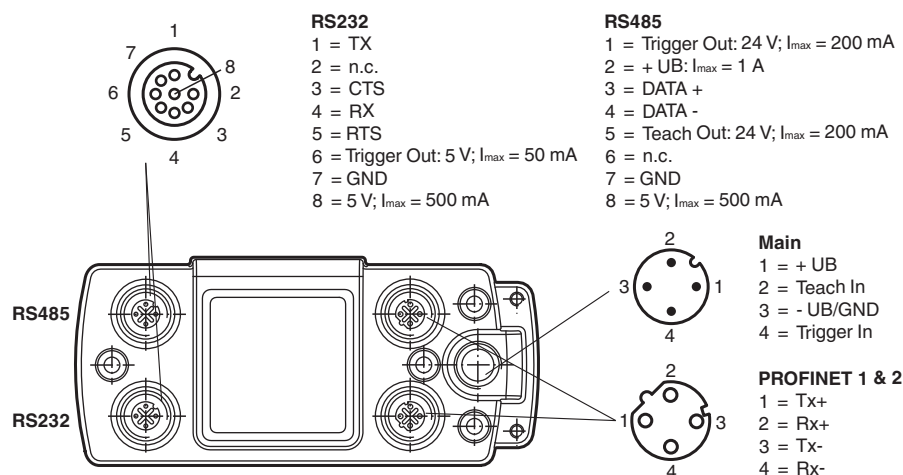
Electrical specifications

Release date: 2023-06-29 Date of issue: 2023-06-29 Filename: 289804-100000_eng.pdf

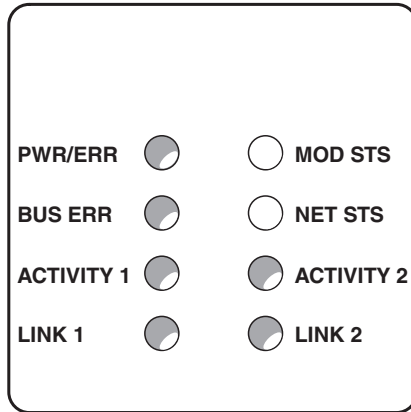
Technical Data

Operating voltage	U_B	10 ... 30 V DC PELV
Ripple		$\leq 10\%$ at 30 V DC
Current consumption		≤ 1.1 A Inc. readers
Power consumption	P_0	2.5 W Without readers
Interface 1		
Interface type		RS-232, EIA/TIA-232E
Transfer rate		115k, 8N1
Interface 2		
Interface type		RS485, No function
Interface 3		
Interface type		2 x PROFINET IO with int. switch
Protocol		Conformance Class B Realtime class RT Min. cycle time 1 ms
Transfer rate		10/100 Mbps
Ambient conditions		
Ambient temperature		-25 ... 60 °C (-13 ... 140 °F), noncondensing
Storage temperature		-40 ... 85 °C (-40 ... 185 °F)
Mechanical specifications		
Degree of protection		IP65
Connection		RS232/RS485: 2 x M12 connector, 8-pin, A-coded Power supply: M12 connector Protective earth: M4 earthing screw Ethernet: M12 connection, 4-pin, D-coded
Material		
Housing		powder coated aluminum
Installation		screw fixing : 6 mm
Mass		approx. 400 g


Connection



Assembly



Accessories

	V19S-G-1,7/3M-PVC-V50	Adapter cable, M12 8-pin to RS 232
---	------------------------------	------------------------------------