



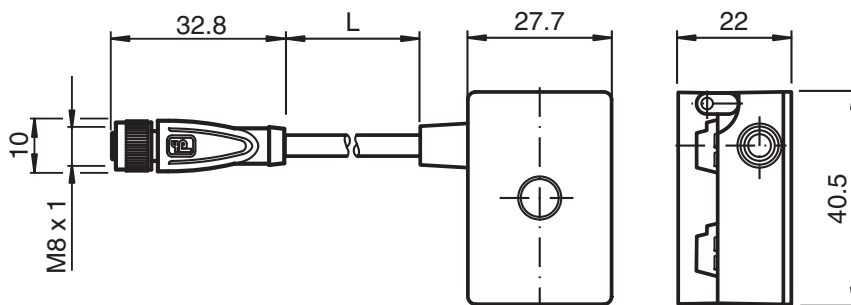
## AS-Interface splitter box VAZ-T1-FK-G10-1M-PUR-V3-G

- One piece housing
- Simple and fast mounting
- Gold-plated and machined contacts
- Oil and abrasion resistant PUR line appropriate for drag chains
- Degree of protection IP68 / IP69K
- Immunity to vibration
- Halogen-free

Splitter box G10, AS-Interface to 1x M8 round connector



### Dimensions



### Technical Data

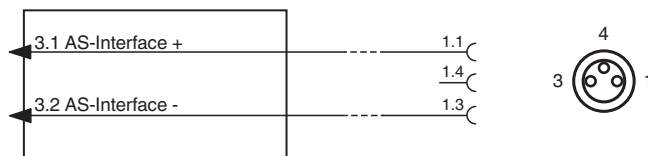
General specifications	
Construction type	Socket, right-angled AS-Interface flat cable, terminal compartments
Electrical specifications	
Rated operating voltage	$U_e \leq 60 \text{ V PELV}$
Rated operating current	$I_e \leq 3 \text{ A}$
Protection class	III
Current loading capacity	max. 4 A
Surge protection	overvoltage category III
Compliance with standards and directives	
Standard conformity	
Degree of protection	EN 60529:2000
Approvals and certificates	
UL approval	cULus Listed, Type 1 enclosure
Application	for use in NFPA 79 applications
Maximum permissible operating voltage	max. 32 V
Maximum permissible ambient temperature	max. 55 °C (max. 131 °F)

Release date: 2024-12-12 Date of issue: 2024-12-12 Filename: 290666\_eng.pdf

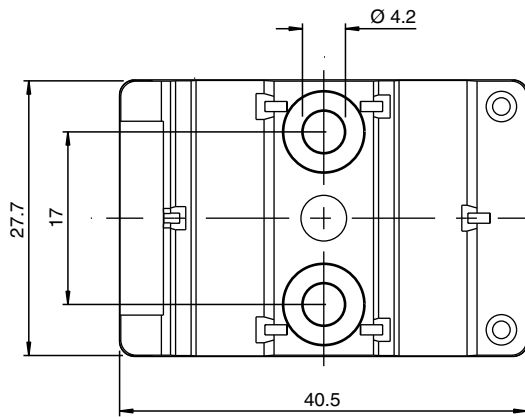
## Technical Data

UL File Number		E223772
<b>Ambient conditions</b>		
Ambient temperature		-25 ... 75 °C (-13 ... 167 °F)
Storage temperature		-25 ... 85 °C (-13 ... 185 °F)
Pollution degree		3
<b>Mechanical specifications</b>		
Degree of protection		IP67 IP67 / IP68 / IP69K with flat cable VAZ-FK-S-*
Connection		Flat cable AS-Interface: cable piercing method Connector: socket M8 x 1 (V3)
Material		
Contacts		CuSn / Au
Housing		PBT PC
Body		PUR, black
Cable		PUR
Mounting screw		Stainless steel 1.4305 / AISI 303
Cable		
Sheath diameter		Ø4,3 mm
Color		black
Cores		2 x 0.34 mm <sup>2</sup>
Length	L	1 m
Mass		75 g
Tightening torque, fastening screws		1.65 Nm
<b>Dimensions</b>		
Height		22 mm
Width		27.7 mm
Length		40.5 mm
Note		The unused flat cable connector is closed with a seal.

## Connection



## Mounting



You may screw the device onto a level mounting surface using two M4 attachment screws. The attachment screws are not included.