



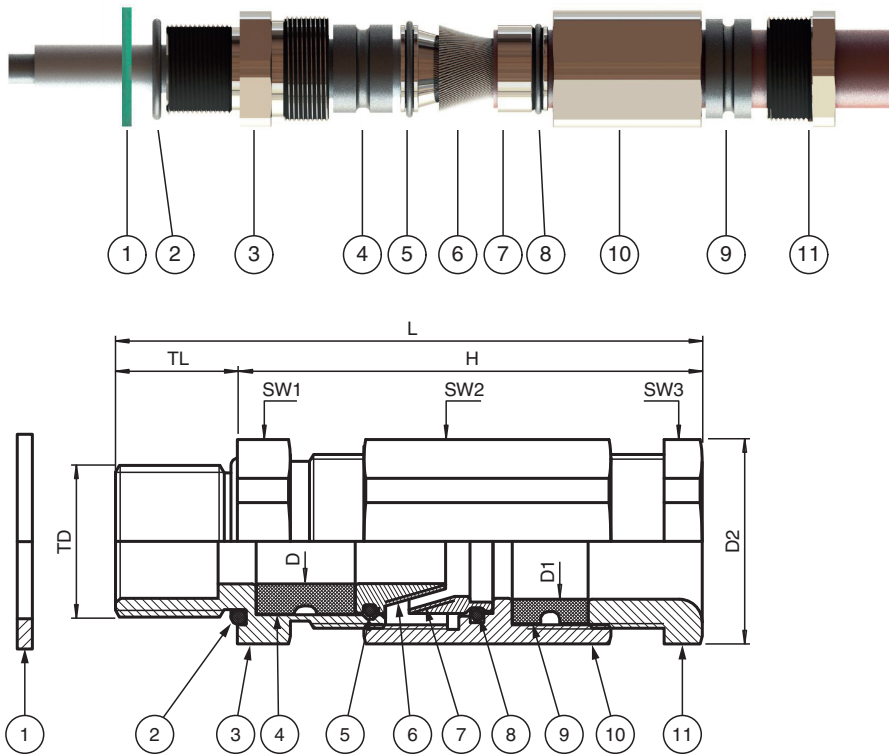
# Cable Glands, Metal, for armored Cables

CG.AR.NPT3/8.BN.C.16.K01

- For armored cables
- Brass nickel-plated
- Thread NPT 3/8"
- Seal chloroprene
- Ex d, Ex e and Ex tb certified
- Suitable for operation in Zone 1, Zone 2, Zone 21 and Zone 22
- Degree of protection IP66 / IP68, UL Type 4X
- Packaging unit: 1 piece, kit with accessories



## Dimensions



Release date: 2024-07-17 Date of issue: 2024-07-17 Filename: 291414\_eng.pdf

## Dimensions

Details see data table

| Legend |   |
|--------|---|
| 1      | Washer gasket (accessory)   |
| 2      | O-Ring  |
| 3      | Gland body basis  |
| 4      | Inner seal insert for cable without armor                             |
| 5      | O-Ring  |
| 6      | Armor cone  |
| 7      | Armor tightening ring   |
| 8      | O-Ring  |
| 9      | Outer seal insert for cable including armor                           |
| 10     | Gland body  |
| 11     | Pressure nut  |
|        |   |
| D      | Clamping range, cable diameter without armor at inner seal insert     |
| D1     | Clamping range, cable sheath diameter with armor at outer seal insert |
| D2     | Width across corners  |
| H      | Length outside enclosure  |
| L      | Total length  |
| SW*    | Width across flats  |
| TD     | Thread size   |
| TL     | Thread length   |

## Technical Data

### Mechanical specifications

|                              |                               |
|------------------------------|-------------------------------|
| Cable type                   | armored cables                |
| Clamping range (D)           | 6 ... 11 mm                   |
| Thread type                  | NPT ANSI ASME B1.20.1         |
| Thread size (TD)             | NPT 3/8"                      |
| Degree of protection         | IP66 / IP68 , UL Type 4X      |
| Material                     |                               |
| Finish                       | inherent color silver         |
| Cable gland                  | brass, nickel-plated          |
| Washer gasket                | aramid fibers bonded with NBR |
| O-Ring                       | chloroprene                   |
| Seal insert                  | chloroprene                   |
| Mass                         |                               |
| Individual component         | approx. 143 g                 |
| Packing unit                 | approx. 172 g                 |
| Dimensions                   |                               |
| Width across corners (D2)    | 27 mm                         |
| Min. armor thickness         | 0.4 mm                        |
| Max. armor thickness         | 1.3 mm                        |
| Diameter cable sheath (D1)   | 8 ... 15 mm                   |
| Diameter thru-hole (DT)      | 17.2 ... 17.4 mm              |
| Length outside enclosure (H) | 63.5 mm                       |
| Width across flats (SW1)     | 25 mm                         |
| Width across flats (SW2)     | 25 mm                         |
| Width across flats (SW3)     | 25 mm                         |
| Thread length (TL)           | 16 mm                         |

Release date: 2024-07-17 Date of issue: 2024-07-17 Filename: 291414\_eng.pdf

## Technical Data

|  |  |
|--|--|
| Total length (L)   | 79.5 mm  |
| <b>Tightening torque</b>                                       |  |
| Nut torque at enclosure (SW1)                                  | 4 Nm   |
| Nut torque 2 (SW2)   | 35 Nm  |
| Nut torque 3 (SW3)   | 25 Nm  |
| <b>Ambient conditions</b>                                      |  |
| Ambient temperature  | -40 ... 80 °C (-40 ... 176 °F)<br>washer gasket -50 ... 80 °C (-58 ... 176 °F)   |
| <b>Data for application in connection with hazardous areas</b> |  |
| EU-type examination certificate                                | CESI 14 ATEX 033X  |
| Marking  | Ⓜ II 2 GD<br>Ex d IIC Gb<br>Ex e IIC Gb<br>Ex tb IIIC Db   |
| <b>International approvals</b>                                 |  |
| IECEx approval   | IECEx CES 14.0022X   |
| UKCA approval  | CML 22 UKEX 1266X  |
| INMETRO approval   | DNV 20.0028 X  |
| CCoE approval  | PESO A/P/HQ/KA/104/5575 (P418742)  |
| IA approval  | MASC MS/17-2357X   |
| CCC approval   | 2021312313000346   |
| <b>Conformity</b>  |  |
| Degree of protection   | EN 60529   |
| <b>General information</b>                                     |  |
| Delivery quantity  | 1  |
| Scope of delivery  | Cable gland<br>shroud PVC<br>Brief instructions  |
| Supplementary information                                      | EC-Type Examination Certificate, Statement of Conformity, Declaration of Conformity, Attestation of Conformity and instructions have to be observed where applicable. For information see <a href="http://www.pepperl-fuchs.com">www.pepperl-fuchs.com</a> . |