



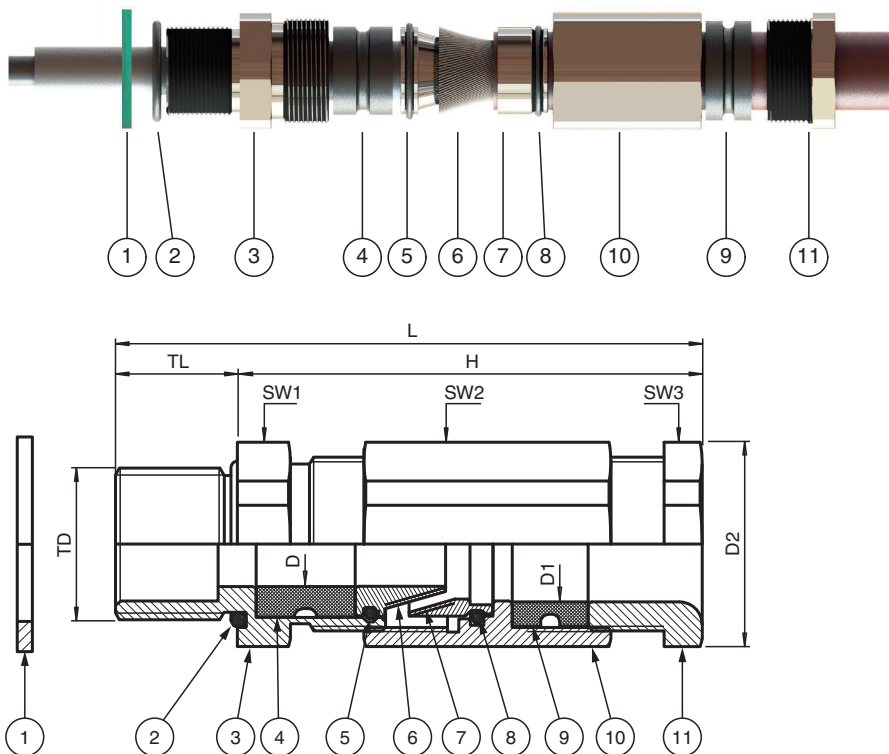
Cable Glands, Metal, for armored Cables

CG.AR.NPT1.SS.C.26.K01

- For armored cables
- Stainless Steel
- Thread NPT 1"
- Seal chloroprene
- Ex d, Ex e and Ex tb certified
- Suitable for operation in Zone 1, Zone 2, Zone 21 and Zone 22
- Suitable for operation in Class I, Zone 1/2/22
- Suitable for operation in Class I, Division 2 when installed in accordance with NEC501.10(B)(2)
- Degree of protection IP66 / IP68, UL Type 4X
- Packaging unit: 1 piece, kit with accessories



Dimensions



Release date: 2024-07-17 Date of issue: 2024-07-17 Filename: 291431_eng.pdf

Dimensions

Details see data table

Legend	
1	Washer gasket (accessory)
2	O-Ring
3	Gland body basis
4	Inner seal insert for cable without armor
5	O-Ring
6	Armor cone
7	Armor tightening ring
8	O-Ring
9	Outer seal insert for cable including armor
10	Gland body
11	Pressure nut
D	Clamping range, cable diameter without armor at inner seal insert
D1	Clamping range, cable sheath diameter with armor at outer seal insert
D2	Width across corners
H	Length outside enclosure
L	Total length
SW*	Width across flats
TD	Thread size
TL	Thread length

Technical Data

Mechanical specifications

Cable type	armored cables
Clamping range (D)	13.5 ... 21 mm
Thread type	NPT ANSI ASME B1.20.1
Thread size (TD)	NPT 1"
Degree of protection	IP66 / IP68 , UL Type 4X
Material	
Finish	inherent color silver
Cable gland	stainless steel
Washer gasket	aramid fibers bonded with NBR
O-Ring	chloroprene
Seal insert	chloroprene
Mass	
Individual component	approx. 464 g
Packing unit	approx. 557 g
Dimensions	
Width across corners (D2)	44.5 mm
Min. armor thickness	0.4 mm
Max. armor thickness	1.6 mm
Diameter cable sheath (D1)	18 ... 27 mm
Diameter thru-hole (DT)	33.5 ... 33.7 mm
Length outside enclosure (H)	82.5 mm
Width across flats (SW1)	40 mm
Width across flats (SW2)	40 mm
Width across flats (SW3)	40 mm
Thread length (TL)	26 mm

Release date: 2024-07-17 Date of issue: 2024-07-17 Filename: 291431_eng.pdf

Technical Data

Total length (L)	108.5 mm
Tightening torque	
Nut torque at enclosure (SW1)	6 Nm
Nut torque 2 (SW2)	55 Nm
Nut torque 3 (SW3)	30 Nm
Ambient conditions	
Ambient temperature	-40 ... 80 °C (-40 ... 176 °F) washer gasket -50 ... 80 °C (-58 ... 176 °F)
Data for application in connection with hazardous areas	
EU-type examination certificate	CESI 14 ATEX 033X
Marking	Ⓜ II 2 GD Ex d IIC Gb Ex e IIC Gb Ex tb IIIC Db
International approvals	
UL approval	
cULus	E490324 tested to UL 514B E490962 tested to UL 2225 CSA 60079-7 , CSA 60079-31
IECEx approval	IECEx CES 14.0022X
UKCA approval	CML 22 UKEX 1266X
INMETRO approval	DNV 20.0028 X
CCoE approval	PESO A/P/HQ/KA/104/5575 (P418742)
IA approval	MASC MS/17-2357X
CCC approval	2021312313000346
Conformity	
Degree of protection	EN 60529
General information	
Delivery quantity	1
Scope of delivery	Cable gland shroud PVC Brief instructions
Supplementary information	EC-Type Examination Certificate, Statement of Conformity, Declaration of Conformity, Attestation of Conformity and instructions have to be observed where applicable. For information see www.pepperl-fuchs.com .