

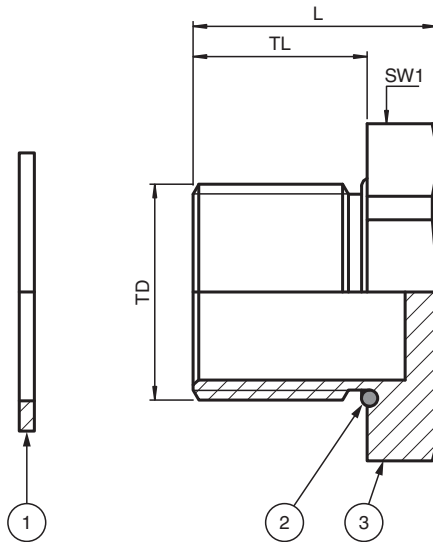


Stopping Plugs, Metal, Hexagon Head SP.MD.NPT3/8.BN.X.16.K01

- Stopping plug for unused cable entries
- Brass nickel-plated
- Thread NPT 3/8"
- Hexagon head
- Ex eb and Ex tb certified
- Suitable for operation in Zone 1, Zone 2, Zone 21 and Zone 22
- Suitable for operation in Class I, Zone 1/2/22
- Suitable for operation in Class I, Division 2 when installed in accordance with NEC501.10(B)(2)
- Degree of protection IP66 / IP68, UL Type 4X
- Packaging unit: 1 piece, kit with accessories



Dimensions



Details see data table

Legend	
1	Washer gasket (accessory, metric versions only)
2	O-Ring (metric versions only)
3	Stopping plug
L	Total length
SW*	Width across flats
TD	Thread size
TL	Thread length

Technical Data

Mechanical specifications	
Thread type	NPT ANSI ASME B1.20.1
Thread size (TD)	NPT 3/8"
Degree of protection	IP66 / IP68 , UL Type 4X
Material	
Finish	inherent color silver
Stopping plug	brass, nickel-plated
Mass	
Individual component	approx. 24 g
Packing unit	approx. 34 g
Dimensions	
Diameter thru-hole (DT)	17.2 ... 17.4 mm
Width across flats (SW1)	20 mm
Thread length (TL)	16 mm
Total length (L)	20 mm
Tightening torque	
Nut torque at enclosure (SW1)	7 Nm
Ambient conditions	
Ambient temperature	-60 ... 130 °C (-76 ... 266 °F) washer gasket: -40 ... 80 °C (-40 ... 176 °F)
Data for application in connection with hazardous areas	
EU-type examination certificate	CESI 15 ATEX 029 X
Marking	⊕ II 2 GD Ex eb IIC Gb Ex tb IIIC Db
International approvals	
UL approval	
cULus	E305142 tested to UL 50E and UL 508A
CSA approval	CSA C22.2, No. 14-13
IECEx approval	IECEx CES 15.0006X
EAC approval	RU C-DE.AA87.B.00459/20
Conformity	
Degree of protection	EN 60529
General information	
Delivery quantity	1
Scope of delivery	Stopping Plugs, Metal brief instructions
Supplementary information	EC-Type Examination Certificate, Statement of Conformity, Declaration of Conformity, Attestation of Conformity and instructions have to be observed where applicable. For information see www.pepperl-fuchs.com .