



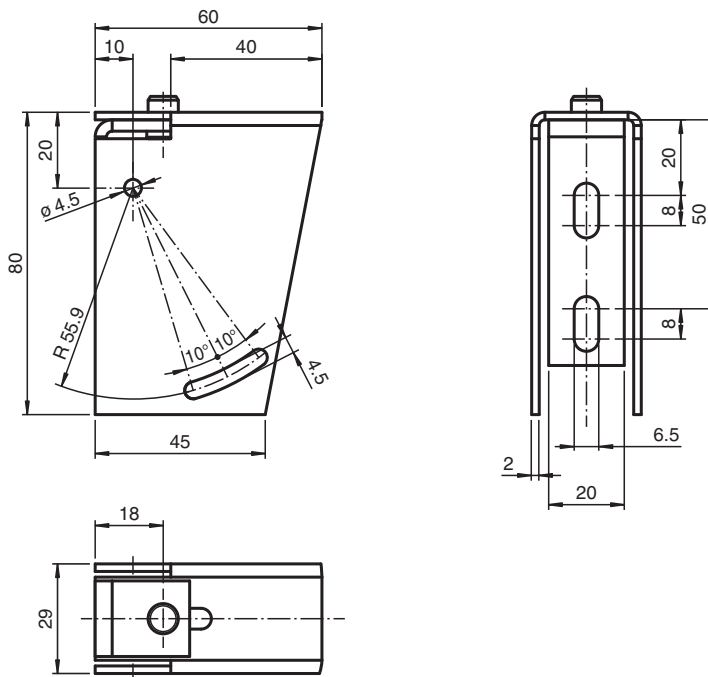
Mounting aid OMH-RL31-07



- Simple installation and exact setting
- Solid fixture for rear panel mounting
- Infinitely variable $\pm 10^\circ$ horizontal
- Infinitely variable $\pm 90^\circ$ vertical

Mounting bracket including adjustment

Dimensions



Technical Data

Mechanical specifications

Material	aluminum
Mass	approx. 160 g
Mounting	Mounting accessories included

Suitable series

Series	Series 31
--------	-----------