

Y-Splitter

V19SY-Y-V1D/V1S

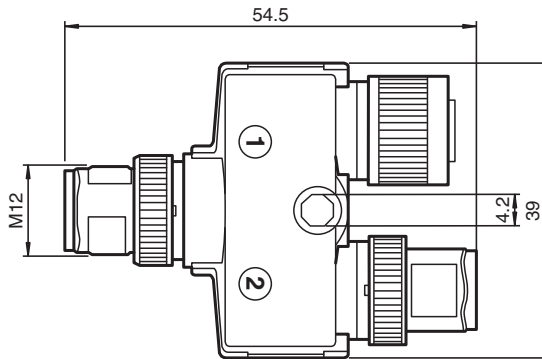


- Hybrid Ethernet CAT5, 100 MBit/s
- Degree of protection IP67
- Knurled nut suitable for tool assembly
- Immunity to vibration, with mechanical latching

Y-Splitter M12 plug 8-pin Y-coded to M12 socket 4-pin D-coded / M12 plug 4-pin A-coded



Dimensions



Technical Data

General specifications

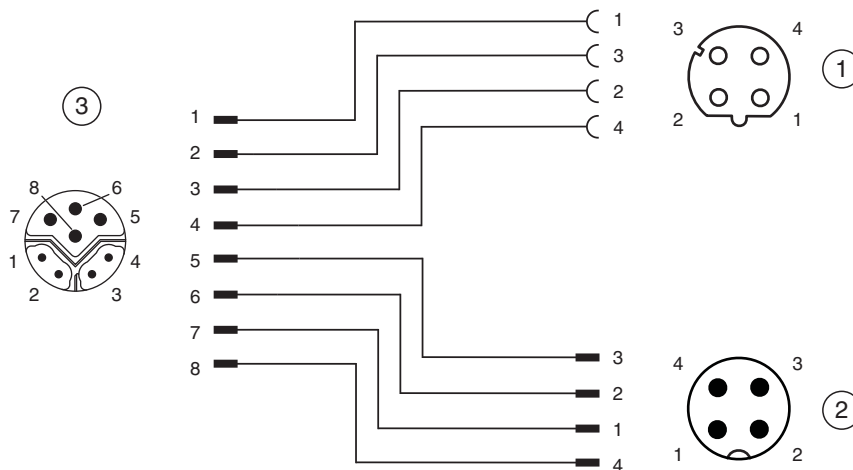
Connector 1	
Connection	socket
Construction type	M12
Style	straight
Locking	screw connection
Number of pins	4
Coding	D-coded
Connector 2	
Connection	plug
Construction type	M12
Style	straight
Locking	screw connection
Number of pins	4
Coding	A-coded
Connector 3	
Connection	plug

Release date: 2023-06-30 Date of issue: 2023-06-30 Filename: 293631_eng.pdf


Technical Data

Construction type	M12	
Style	straight	
Locking	screw connection	
Number of pins	8	
Coding	Y-coded	
Electrical specifications		
Operating voltage	U _B	max. 30 V AC/DC
Operating current	I _B	4 A
Conformity		
Degree of protection	EN 60529	
Plug connection	connector M12 x 1 : IEC 61076-2-101	
Component category	CAT5 (IEC 11801:2002)	
Flammability	UL 94	
Ambient conditions		
Ambient temperature	-25 ... 80 °C (-13 ... 176 °F)	
Pollution degree	3	
Mechanical specifications		
Plug connector		
Tightening torque	0.6 Nm	
Loosening protection	available	
Tool installation	straight knurling	
Mating cycles	min. 100	
Degree of protection	IP67	
Mounting	Mounting hole for M4 screw	
Material		
Plug connector		
Screw connection	Zinc diecast, nickel-plated	
Body	TPU	
Seal	NBR	
Contact surface	Ni/Au	

Connection Assignment



Accessories

	MH V1-SCREWDRIVER	Torque screwdriver (0.6 Nm)
---	--------------------------	-----------------------------

Release date: 2023-06-30 Date of issue: 2023-06-30 Filename: 293631_eng.pdf

Accessories**MH V1-BIT M12**

plug-in cap M12